

Service Manual

 **PIONEER®**
The Art of Entertainment

SERVICE GUIDE

ORDER NO.
RRV1896

DVD PLAYER

DV-505

DV-S9

DVD LD PLAYER

DVL-909

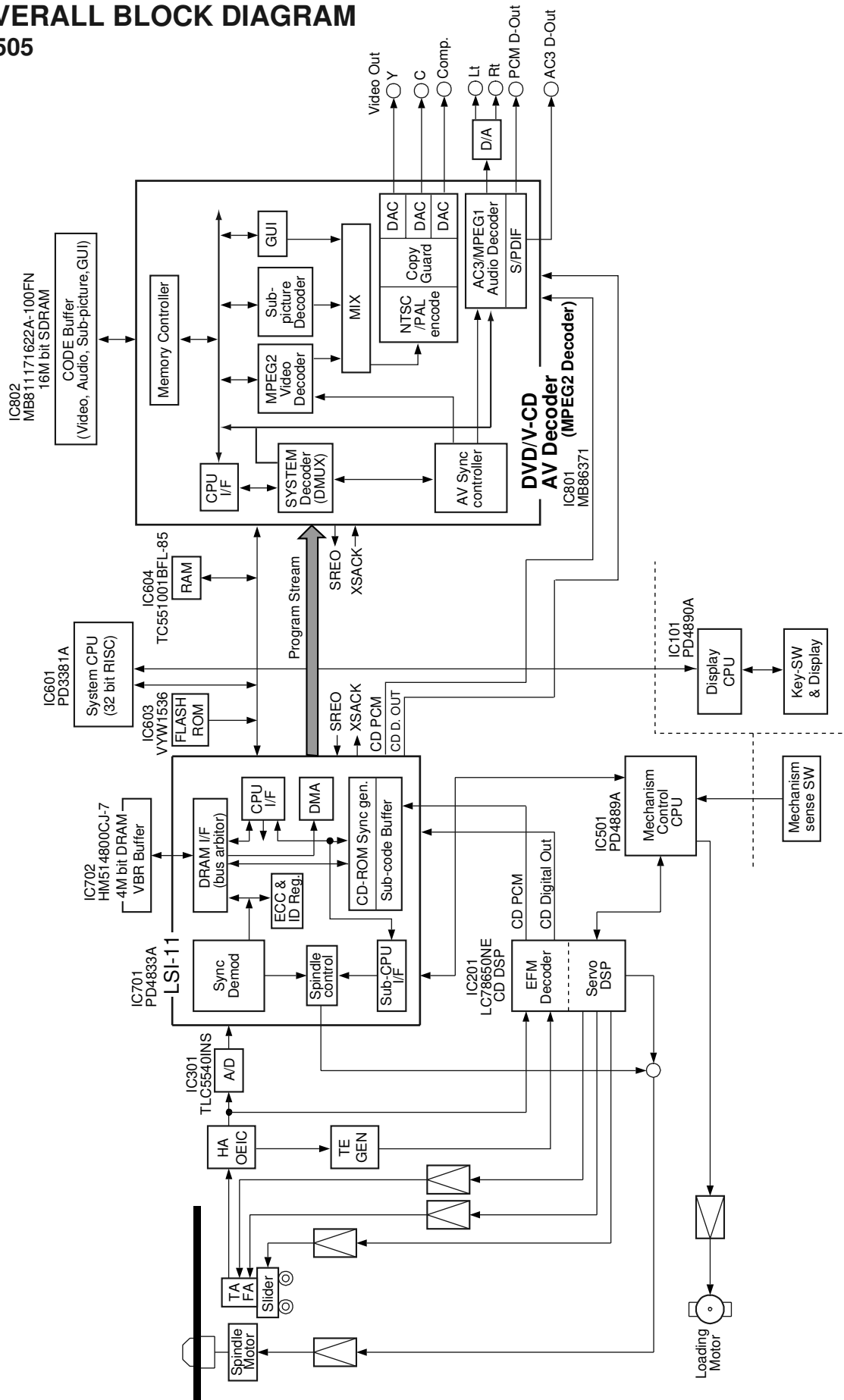
CONTENTS

1. CIRCUIT DESCRIPTION	2
2. CIRCUIT DESCRIPTIONS	
FOR DV-S9 AND DV-09	10
3. TEST MODE	13
4. IC INFORMATION	22
5. FL INFORMATION	47

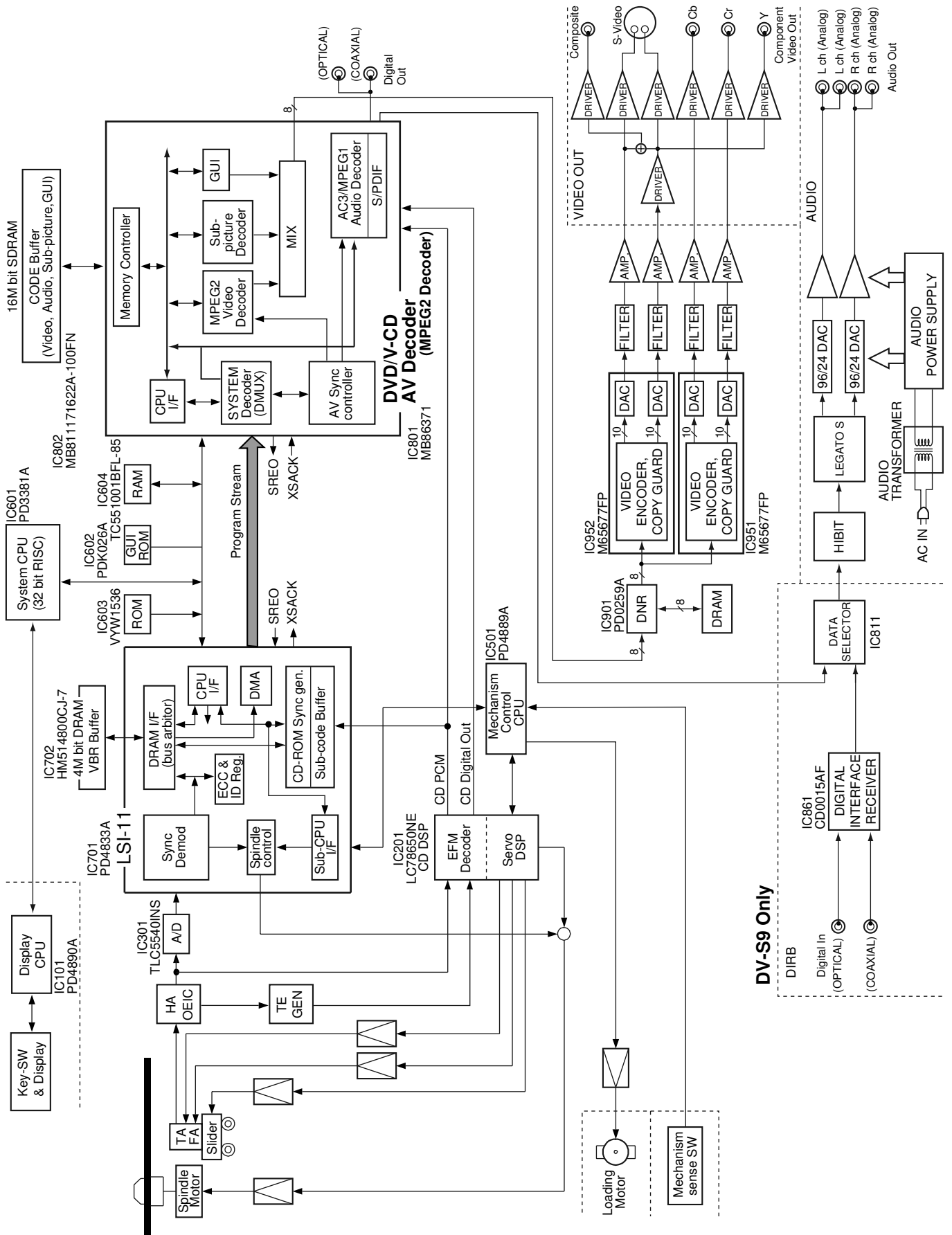
1. CIRCUIT DESCRIPTION

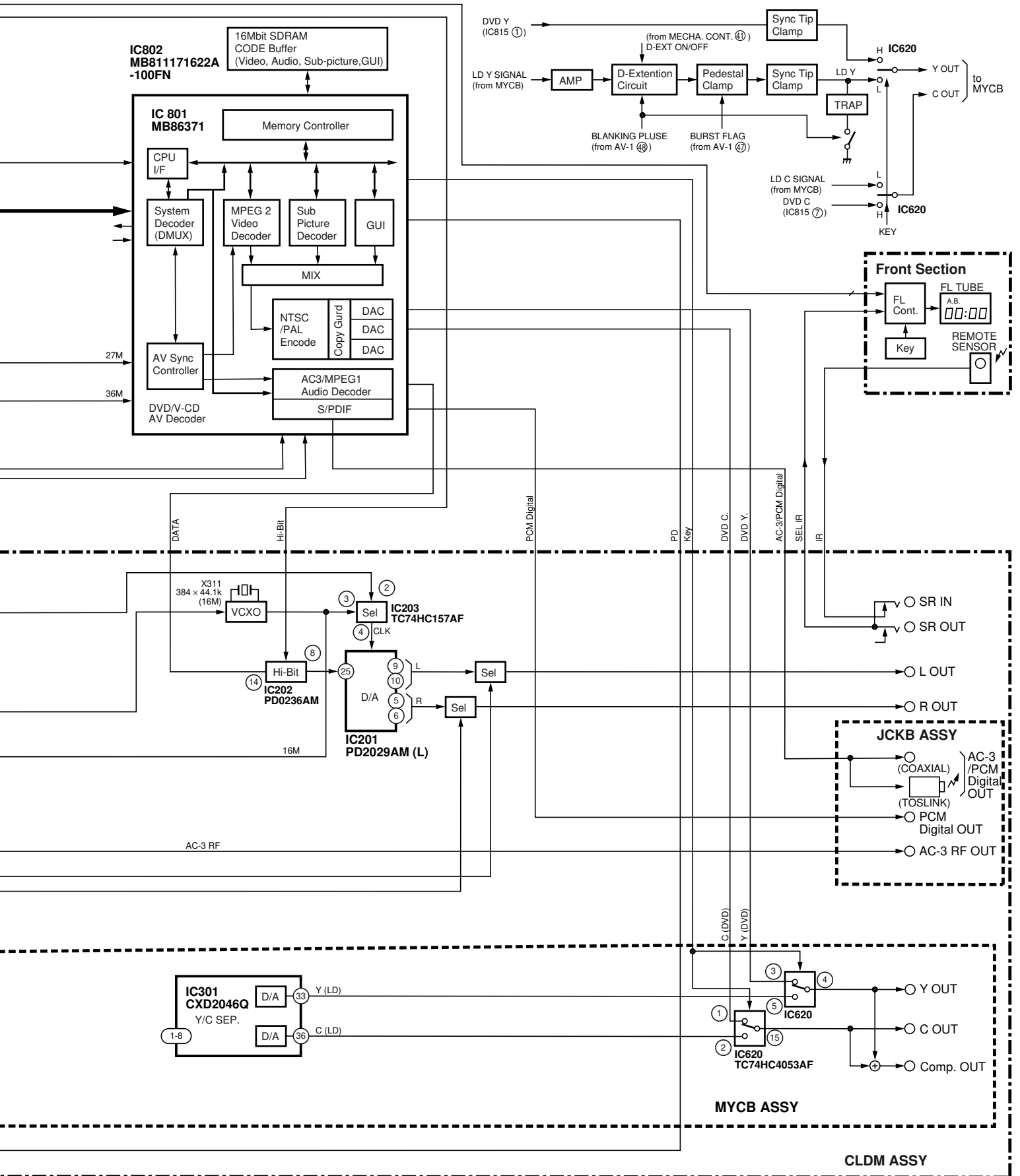
1.1 OVERALL BLOCK DIAGRAM

■ DV-505



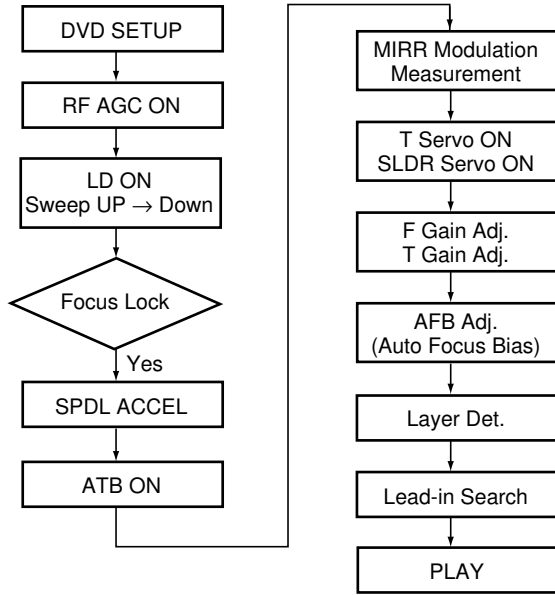
DV-S9 and DV-09





1.2 EXPLANATION OF EACH MOVEMENT

1.2.1 Sequence Up to Playback



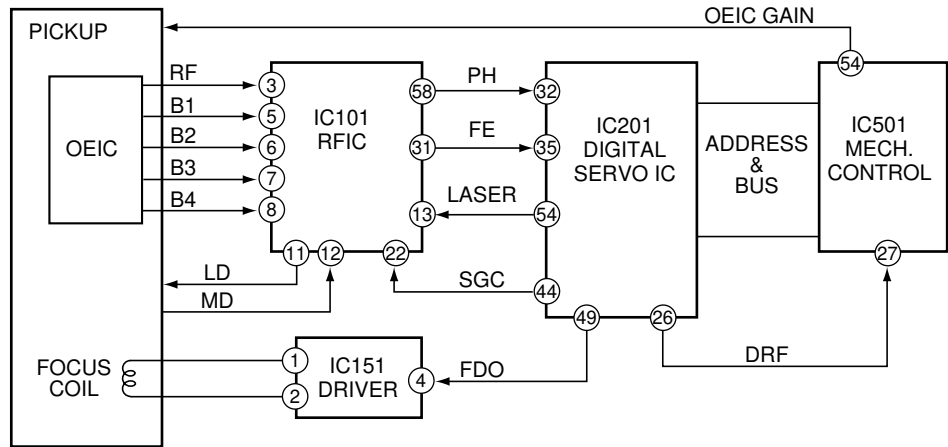
1.2.2 Focus Servo

FE generated in the RF IC is sent to the Digital servo IC.

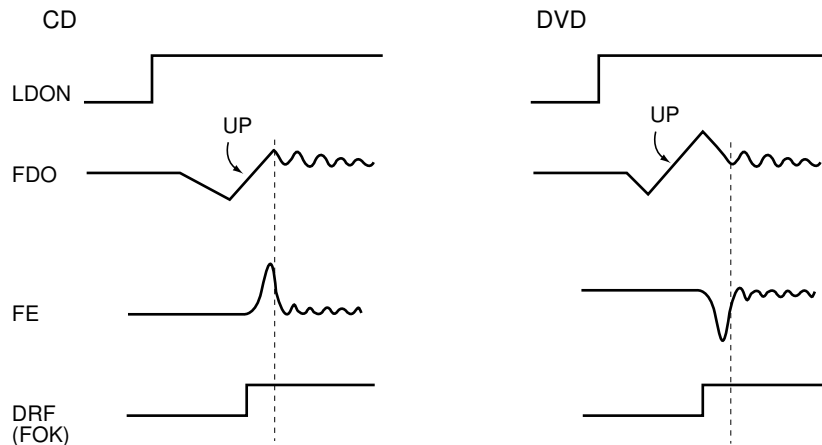
For a DVD, the servo is turned on during the transition from “Up” to “Down” of the first-order sine wave. For a CD, it turns on during the transition from “Down” to “Up” of the first-order sine wave.

When the servo is turned on, the level of PH (the envelope of the bright side of RF) increases, and DRF becomes H. The kick-brake pulses, such as those for FOCUS jump, are also output from pin 49 of IC201.

• FOCUS SERVO



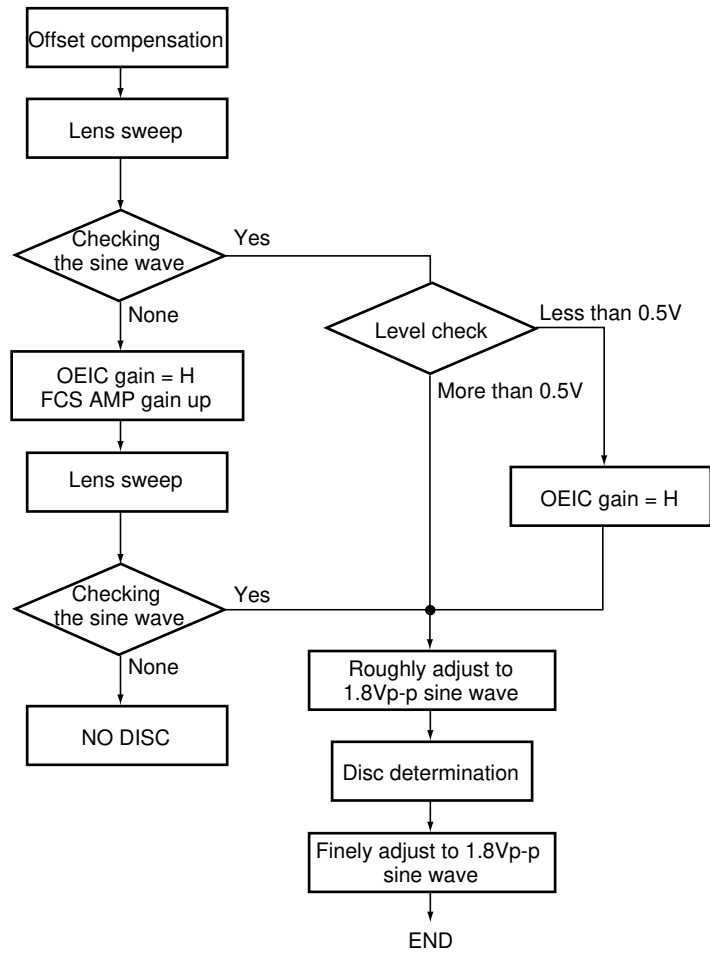
• FOCUS LOCK TIMING



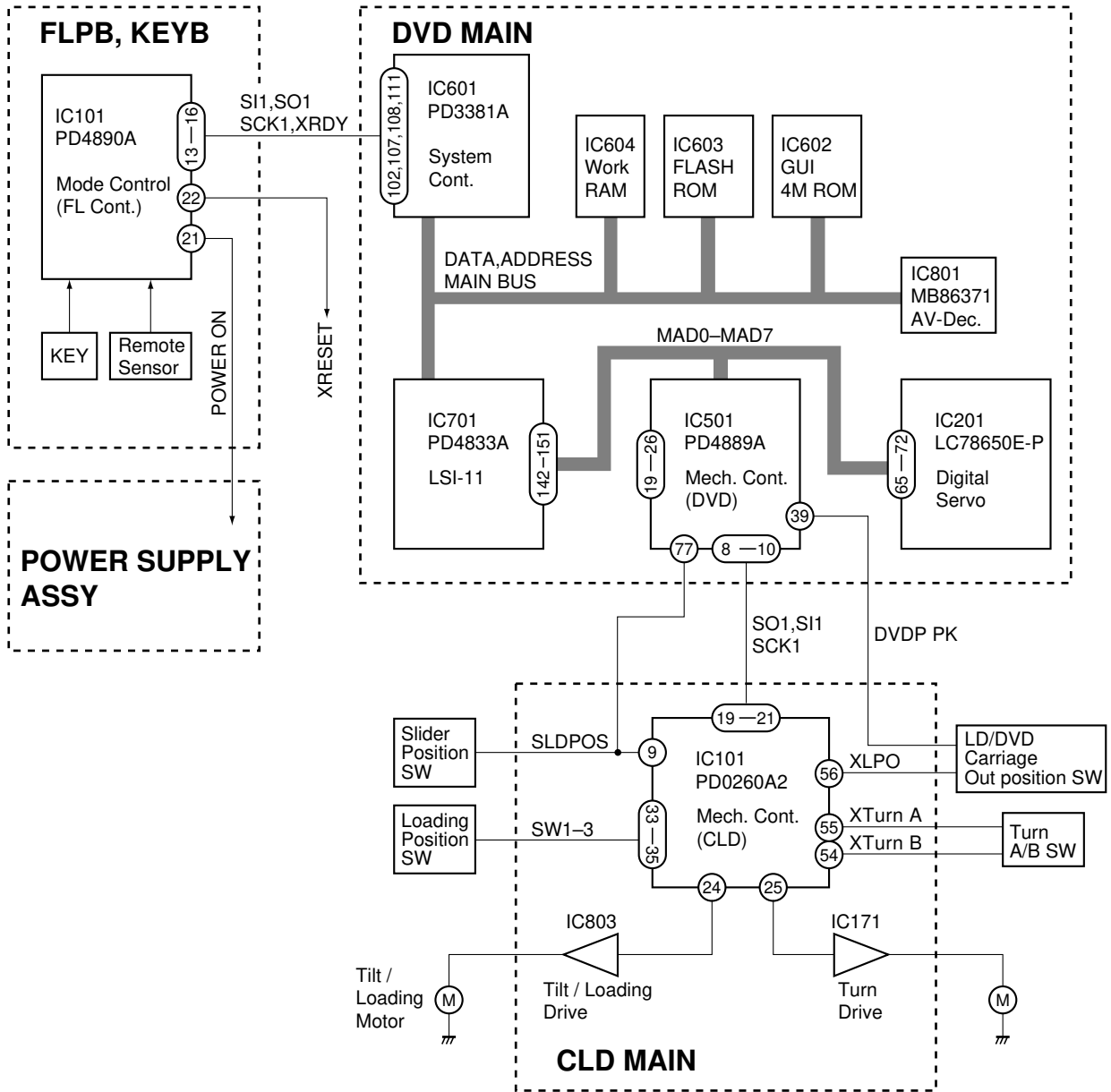
1.2.5 Disc Determination

Determination is achieved by checking the sine wave by sweeping the lens with the OE IC gain at L and the FSC error amplifier (SGC) at the default setting. If no sine wave is detected, checking is retried after switching the OE IC gain to H and increasing the gain of the FSC error amplifier (SGC). If no sine wave is detected again, it is regarded as the NO DISC condition.

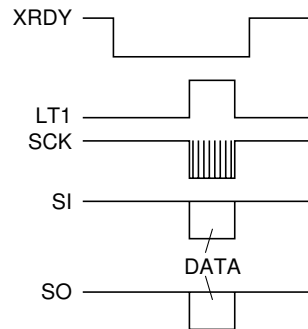
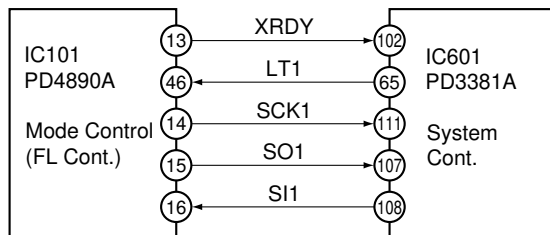
If one half of the sine wave detected at the first lens sweep is of a value less than 0.5 V, the OE IC gain is set to H and the peak-to-peak value of the sine wave is roughly adjusted to 1.8 Vp-p. By sweeping the lens around the height where the sine wave has been detected, disc determination is performed, and the sine wave is finely adjusted to 1.8 Vp-p.



1.2.6 System Control (DVL-909)



1) Interface between Mode Cont. and System Cont.



Timing Chart

If there is no communication for 2 sec., Mode Cont. turn off the power and reset.

2. CIRCUIT DESCRIPTIONS FOR DV-S9 AND DV-09

2.1 VIDEO SIGNAL PROCESSING BLOCK

2.1.1 PD0259A Block

The major purposes of the PD0259A block are;

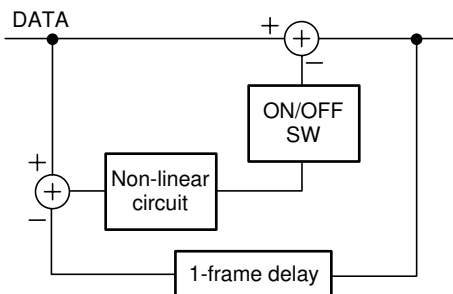
- (1) Frame-correlative cyclic digital noise reduction
- (2) Horizontal and vertical contour compensation
- (3) Y/C timing adjustment
- (4) Frame freezing

(1) Frame-Correlative Cyclic Digital Noise Reduction

For eight-bit digital video data input to the PD0259A, noise reduction is performed through subtraction between the data and those of the corresponding points 1 frame before, delayed for the subtraction via a 4-bit DRAM by 1 frame.

The noise signal detected as a result is sent to a non-linear circuit. If the difference is larger than a specific value, it is regarded as “a change in picture,” and no canceling calculation is made.

This function is the same as that which has been performed in conventional laser-disc players. The only difference is that the input video signal here is a DVD digital component signal (4:2:2), while it is an LD digital composite signal in conventional laser-disc players.



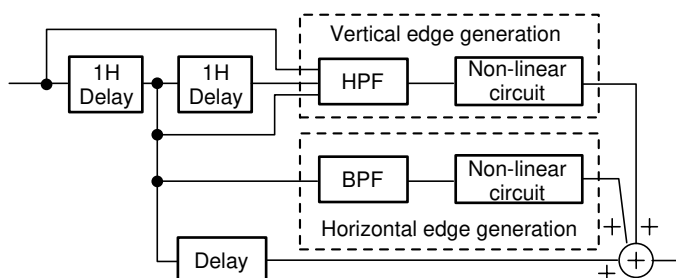
(2) Horizontal and Vertical Contour Compensations

For data after digital noise reduction, horizontal and vertical contour compensations are made only for the Y-signal.

Horizontal compensation is performed by detecting edge components from the information of the reference picture elements and those that horizontally proceed and succeed by several pixels, and then generating edge-emphasizing components through non-linear processing of the detected components.

Vertical compensation is performed by detecting edge components from information on the reference picture elements and those which vertically proceed and succeed by one line, and then generating edge-emphasizing components through non-linear processing of the detected components.

These edge-emphasizing components are added to the main-line digital data to achieve contour compensations.



(3) Y/C-timing Adjustment

This function changes the output phase of the Y signal with respect to the Cb and Cr signals in units of the 13.5-MHz clock cycle (approx. 74 ns).

(4) Frame Freezing

In response to a command sent from the system control computer by serial transmission, data for one frame are frozen, and the frozen picture is output.

This function is specific to the DV-S9 and is used only for picture-by-picture reversing by jog/shuttle operation or “Slow 1” playback operation.

2.1.2 M65677FP Block

The M65677FP block functions as an NTSC encoder that converts digital component signals to analog Y, C, Cb and Cr signals. While our popular models other than the DV-S9 use the built-in encoder in the MB86371 block, an external NTSC encoder is added to the DV-S9, as it performs digital processing in the PD0259A block.

In addition to NTSC encoding, the M65677FP also performs:

- (1) D.EXT(DV-S9)/BLACK LVL(DV-09)
- (2) C.LEVEL adjustment

(1) D.EXT(DV-S9)/BLACK LVL(DV-09)

Setup of -7.5 IRE is added to the Y signal. D.EXT(DV-S9)/BLACK LVL(DV-09) processing using analog signals in conventional laser disc players is achieved by using digital signals.

(2) C.LEVEL Adjustments

The burst level of the C signal can be varied centering around 40 IRE.

Therefore, it is performed for the S-connector and CVBS-connector outputs, but not for the color-difference output.

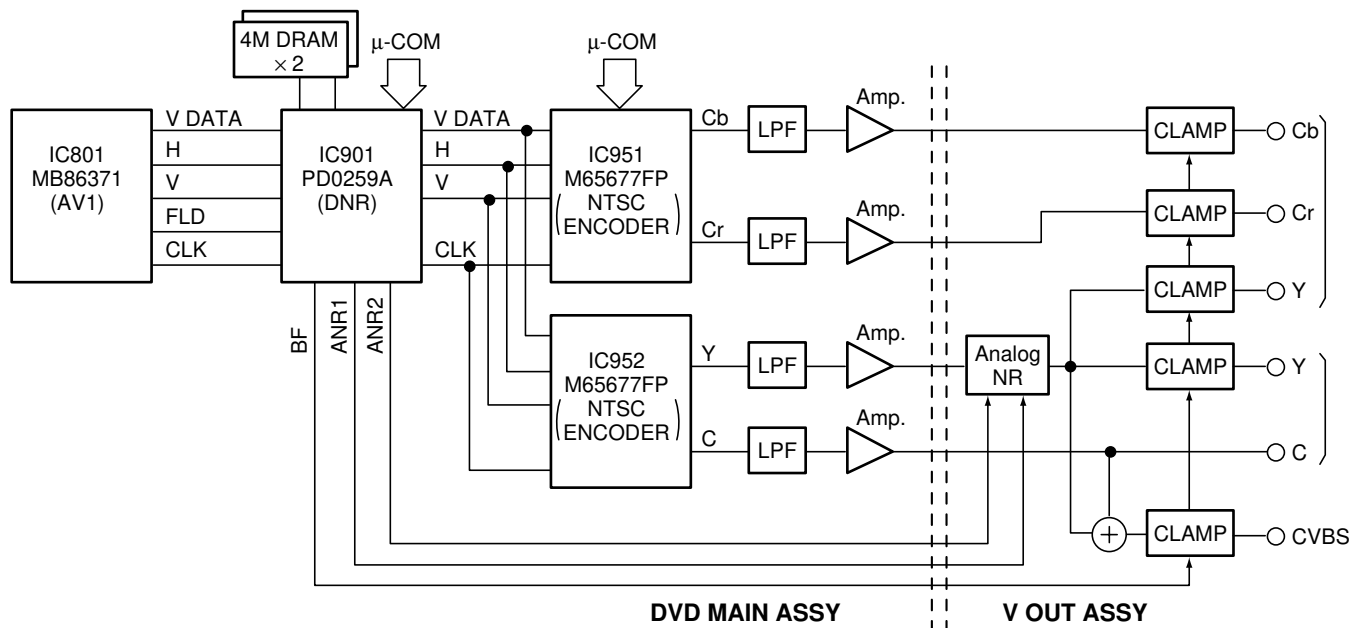
This function is also not available if the connected TV receiver has no AGC circuit.

2.1.3 Analog Video Signal Processing Block

The video signals output from the built-in 10-bit DA converter of the M65677FP pass through a low-pass filter and amplifier, and are output from the DVD MAIN Assy and sent to the VOUT Assy.

In the VOUT Assy, analog noise-reduction processing having three levels (OFF, low, and high) is initially applied only to the Y signal. This analog noise reduction is the same as that performed by conventional laser-disc players. The register port output in serial communication that the PD0259A receives from the system-control computer is used as the control signal for analog noise reduction.

After analog noise reduction, a CVBS signal is generated by composing the Y and C signals (no clamping is performed for the C signal). The timing pulse BF to be used for pedestal clamping is supplied from the PD0259A. This signal is adjusted within the PD0259A so that it provides the timing for the burst portions of the output video signals.



2.2 DIRB BLOCK (DIRB ASSY) (DV-S9 ONLY)

The two major purposes of the DIRB block are the following:

- (1) Switching between data reproduced from a disc and a data signal in DAC mode
- (2) Data decoding in external input mode (DAC mode)

(1) Switching Between Data Reproduced from a Disc and a Data Signal in DAC Mode

The signal switching is performed at IC811, sending 3-line data (LRCK, BCK and DATA) to the AUDIO Assy. The switching control line (DAC MODE) is supplied from the DVD MAIN Assy. The master clock (MCK) is generated by a crystal on the AUDIO Assy when reproducing a disc, and by IC861 in DAC mode. MCK is sent to the AUDIO Assy via RXP.

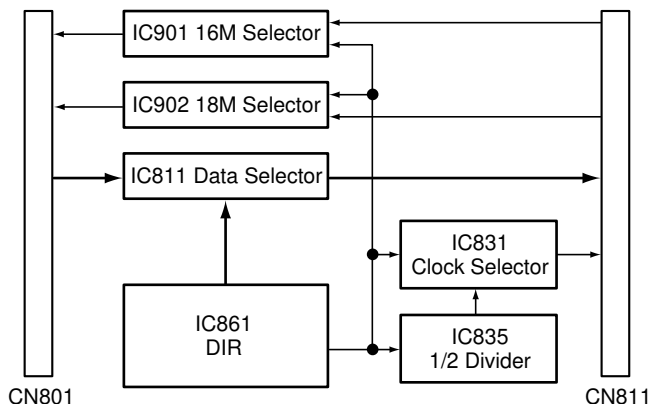
(2) Data Decoding in External Input Mode (DAC Mode)

When the user selects DAC mode, the DAC MODE port is set to H and VCO in IC861 starts oscillating. (VCO does not oscillate in any other modes than DAC mode.) When there is a loss of an external input or a coaxial digital input, the digital input signal is sent to IC861 from RXP of CN801, generating 3-line data corresponding to the input sampling frequency. At the same time, the master clock (MCK) to be used in DAC mode is also generated. For a 96kHz input, the MCK frequency is divided by 2 by IC831.

When the user selects the internal clock as the system clock, the clock generated by the crystal on the AUDIO Assy is sent to the DVD MAIN Assy. When the user selects an external sync as the system clock, the following parameters are used.

FS(kHz)	16M clock in the AUDIO Assy	18M clock in the AUDIO Assy	16M clock sent to the DVD MAIN Assy	18M clock sent to the DVD MAIN Assy
32	Oscillates	Oscillates	Crystal 16M clock	Crystal 18M clock
44.1	Stops oscillating	Oscillates	DIR 16M clock	Crystal 18M clock
48	Oscillates	Stops oscillating	Crystal 16M clock	DIR 18M clock
96	Oscillates	Stops oscillating	Crystal 16M clock	DIR 18M clock

If there is no external input or locking onto the input digital signal cannot be achieved, the ERR signal at pin 43 of IC861 is set to H, and the crystal in the AUDIO Assy immediately starts oscillating. In such cases, the clock sent to the DVD MAIN Assy will always be a crystal clock.



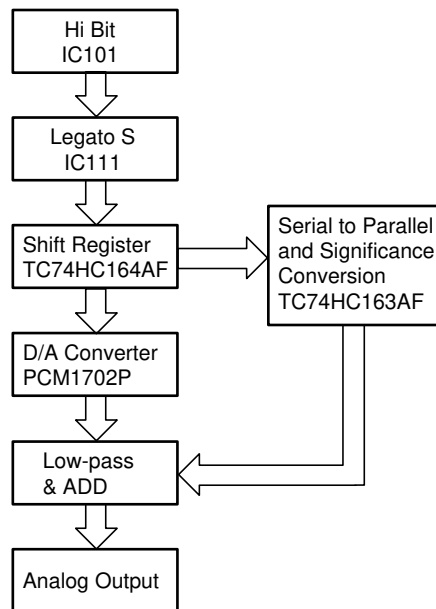
2.3 96K, 24-Bit, HIBIT LEGATO S SYSTEM (AUDIO ASSY)

All 16-bit and 20-bit sources are converted to 24-bit data by IC101, which lets a 24-bit data pass through.

As PCM1702P is a 20-bit D/A converter, processing of the upper 20 bits is assigned to it by the shift register.

The lower 4 bits are converted from serial to parallel, then the significance of each bit is converted digital to analog, functioning as a 4-bit D/A converter for the lower 4 bits.

By adding the lower 4 bits to the upper 20 bits in the low-pass & ADD block, D/A conversion is achieved for 24 bits.



3. TEST MODE

3.1 HOW TO ENTER THE TEST MODE

There is the three following methods in an enters of the test mode.

1. Short-circuit the terminals (TP6006 and TP6007) for test mode entry at the side of the system control IC (IC601) of DVDM ASSY, and turn the power on.
2. Input [ESC] key and [TEST/RANDOM] key of the test mode remote control unit in order under the power on condition.
3. Connect a personal computer with the RS232C terminal (CN106), and input entry command (TE) of test mode from the personal computer.

Note: FL indication and LED come all to light until key operation is done when entering the test mode.

3.2 RELEASE THE TEST MODE

There is the three following methods in a release of the test mode.

1. Turn the power off.
2. Press [ESC] key of the remote control unit. At this time, reset it for a while except for during the LD and CDV set.
3. Connect a personal computer with the RS232C terminal (CN106), and input normal mode entry command (NE) from the personal computer.

3.3 THE EXPLANATION OF EACH FUNCTION

The function that can be operated in the test mode is as the following. Use a LD remote control unit in the test mode.

(1) Door Open/Close

1. Press [REPEAT A-B] (48) key of the remote control unit.
2. Press [OPEN/CLOSE] key of the player from the stop condition.

(2) Stop

1. Press [REPEAT] (44) key of the remote control unit.
2. Press [STOP] key of the remote control unit or the player from the stop condition.

(3) Play 1 (Demultiplex exist which it tries to output the playback screen)

1. Press [PLAY] (17) key of the remote control unit.
 - CLD rise up at the tracking open condition. However, it becomes tracking close when entering the test mode during the play.
 - DVD rise up at the tracking close. Playback screen may not appear because the NAVI information isn't read in the test mode.

(4) Play 2 (Demultiplex is absent which performing trace only)

1. Press [TV/LDP] (0F) key of the remote control unit.
 - It is equal to the play 1 with CLD.
 - Perform only tracing with DVD, and there are no video and audio output.

(5) Pause

1. It becomes pause condition by pressing [CX] (0E) key of the remote control unit in the play.
2. Pause ON/OFF changes alternately by pressing [PAUSE] (18) key in the play.

(6) Search Address Input Entry

It becomes the address input mode when [+10] key (1F) is pressed. (indication for the most significant digit : >)

Indicate the last address as the initial condition in this time.

Only in case of DVD, addition search (indication for the most significant digit : +) and subtraction search (indication for the most significant digit : -) are able to select in order by pressing [+10] key continuously.

The address where input value was added to the present address is make to search with addition search.

The address where input value was subtracted to the present address is make to search with subtraction search.

In case of CD is only absolute time search.

Also address clear and release from the address input mode are able to perform by 2 steps by pressing [CLEAR] (45) key.

(7) Search Address Input

Press [0] to [9] keys of the remote control unit.

Set up the address by the hexadecimal number with DVD.

When [PROGRAM] (4C) key is pressed in the address input mode, input mode changes to hexadecimal number input (Indicates "*" mark), and [1] to [6] keys are input as [A] to [F].

At this time, [7], [8], [9] and [0] keys are not accepted.

Also the hexadecimal number input and the decimal number input can be changed with toggle.

(8) Search Practice

1. Press [CHP/TIM] (13) key of the remote control unit.
 - Practice the on screen no playback (Doesn't demultiplex) after the search with DVD.
2. Press [PLAY] (17) key of the remote control unit.
 - Practice the on screen playback (demultiplex exists) after the search with DVD.

(9) Side Change

This function becomes effective when a set disk is LD.

1. Change a side on the side A from the side B when pressing [SIDE A] (4D) key of the remote control unit.
2. Change a side on the side B from the side A when pressing [SIDE B] (4E) key of the remote control unit

(10) Tracking Open

1. Press [STEP FWD] (54) key of the remote control unit in the play condition.
2. Switch the open/close by pressing [PLAY] key of the remote control unit or the player during the play (CD only).

(11) Tracking Close

1. Press [STEP RVS] (50) key of the remote control unit in the play condition.
2. Switch the open/close by pressing [PLAY] key of the remote control unit or the player during the play (CD only).

(12) Slider In

1. Press [SCAN RVS] (11) key of the remote control unit in the tracking off condition.
2. Turn the shuttle of the remote control unit in the REV direction (2C to 2F) in the tracking off condition. (DVD only)

(13) Slider Out

1. Press [SCAN FWD] (10) key of the remote control unit in the tracking off condition.
2. Turn the shuttle of the remote control unit in the FWD direction (28 to 2A) in the tracking off condition. (DVD only)

(14) Scan In

1. Press [SCAN RVS] (11) key of the remote control unit in the tracking on condition.
2. Turn the shuttle of the remote control unit in the REV direction (2C to 2F) in the tracking on condition.
 - DVD can be scanned only in the case of the play 2 (playback without demultiplex).

(15) Scan Out

1. Press [SCAN FWD] (10) key of the remote control unit in the tracking on condition.
2. Turn the shuttle of the remote control unit in the FWD direction (28 to 2A) in the tracking on condition.
 - DVD can be scanned only in the case of the play 2 (playback without demultiplex).

(16) Loading In/Out

When pressing [SKIP REV] (53) key of the remote control unit in the open condition, it loads in the clamp direction. Then it loads in the open direction when pressing [SKIP FWD] (52) key.

- This function can practice only when it is indicated with "OPEN" in FL.

(17) Tilt Neutral

Press [SPEED DOWN] (46) key of the remote control unit.

(18) Tilt Servo On/Off

- a. On
Press [SPEED UP] (47) key of the remote control unit.
- b. Off
Press [SKIP REV] (53) key and [SKIP FWD] (52) key of the remote control unit at the tilt servo on or the tilt neutral.

(19) Tilt Down

A manual moves in the going down direction when [SKIP REV] (53) key of the remote control unit is pressed during the play at the time of tilt off.

(20) Tilt Up

A manual moves in the going up direction when [SKIP FWD] (52) key of the remote control unit is pressed during the play at the time of tilt off.

(21) Focus Jump +

Focus jumps in 1 layer from 0 layer when [MULTI FWD] (58) key of the remote control unit is pressed. (DVD only)

(22) Focus Jump –

Focus jumps in 0 layer from 1 layer when [MULTI REV] (55) key of the remote control unit is pressed. (DVD only)

(23) The First And The Second Screen Switching

Every time [DISPLAY] (43) key of the remote control unit is pressed, the contents of the version indication part (the bottom right of the screen) change. (Refer to page 17.)

(24) Screen Display On

1. Press [DISPLAY] (43) key of the remote control unit.
2. Display on/off switches every time [PROGRAM] (4C) key of the remote control unit is pressed.
 - When [DISPLAY] key is pressed in the display on, change the part number indication of the microprocessor and revision indication.
 - Initial state is screen display on and it becomes the part number indication of the microprocessor.

(25) Screen Display Off

1. Press [AUDIO] (1E) key of the remote control unit.
2. Display on/off switches every time [PROGRAM] (4C) key of the remote control unit is pressed.

(26) Background Color Switching

1. Change the background color (eight colors) prepared for in advance every time [2/R] (49) key of the remote control unit is pressed in order.
[Blue→Green→Light blue→Red→Purple→Yellow→Gray→Black→Blue ...]
2. Change the background color (eight colors) prepared for in advance every time [1/L] (4B) key of the remote control unit is pressed in order.
[Blue→Black→Gray→Yellow→Purple→Red→Light blue→Green→Blue ...]

(27) Video Output Switching

1. It becomes component output when pressing [DIGITAL EFFECT] (5C) key of the remote control unit.
2. It becomes composite output when pressing [STILL WITH SOUND] (5B) key of the remote control unit.

3.4 EXPANSION FUNCTION 1

Set the reception mode of expansion function by pressing [TEST] (5E) key of the test mode remote control unit, then expansion function is able to execute by pressing the key of [0] to [9].

Indication for the most significant digit becomes "T" during the reception mode of expansion function. (This mode can on and off with toggle.)

(1) LD On

Turn the laser diode to on by pressing [TEST] and [1] keys in order.

(2) Focus On

Focus locks by pressing [TEST] and [2] keys in order.

(3) Focus Sweep

Repeat focus sweep by pressing [TEST] and [3] keys in order.

(4) Spindle FG Servo

Rising up the spindle and FG servo becomes on by pressing [TEST] and [5] keys in order.

(5) AGC On/Off

Switch the AGC on and off with toggle by pressing [TEST] and [7] keys in order.

(6) Jitter Value Indication.

It becomes the jitter-value indication mode by pressing [TEST] and [DIG/ANA] keys in order.

(7) DSP coefficient indication of FTS system.

Set up the address (four digits) of the coefficient that it wants to see by the point of search address input, then real time indicates the coefficient in OSD by pressing [TEST] and [9] keys in order.

(8) CD Error Rate Indication

Indicate the value in OSD after measuring is completed by pressing [TEST] and [0] keys in order after set up the measuring time (1 to 8 seconds) by the point of search address input.

3.5 EXPANSION FUNCTION 2

Set the reception mode of expansion function 2 by pressing [HILITE/INTRO] (55) key of the remote control unit, then expansion function 2 is able to execute by pressing the key of [0] to [9].

(1) Forced DVD Setting

In the checker mode, set up the condition that DVD is attached forcibly except for the result of disc distinction by pressing [HILITE/INTRO] and [1] keys in order.

In the no checker mode (normal test mode), once execute the setting but abandon it soon.

Therefore, perform the disc distinction again for the safety when rising up the player in this condition.

(2) Forced CD Setting

In the checker mode, set up the condition that CD is attached forcibly except for the result of disc distinction by pressing [HILITE/INTRO] and [3] keys in order.

In the no checker mode (normal test mode), once execute the setting but abandon it soon.

Therefore, perform the disc distinction again for the safety when rising up the player in this condition.

(3) Execute The Disk Distinction

In the checker mode, execute the disc distinction result by pressing [HILITE/INTRO] and [0] keys in order.

3.6 List of Test Mode Function

Contents of Command	Condition	Key Name of Remote Control Unit	Mode of Remote Control Unit
Open	STOP	REPEAT A	A8-48
Close	OPEN	REPEAT A	A8-48
Stop	PLAY	REPEAT B	A8-44
Play (DVD is only tracing.)	STOP	TV/LDP	A8-0F
Play (DVD is with decode.)	STOP	PLAY	A8-17
Pause on	PLAY	CX	A8-0E
Pause on/off	PLAY/PAUSE	PAUSE	A8-18
Search address input (0 to 9) *Use for other numerical value input		0 to 9	A8-00 to 09

DV-505, DVL-909, DV-S9

Contents of Command	Condition	Key Name of Remote Control Unit	Mode of Remote Control Unit
Search address input (A to F)	During address input	PGM+1 to 6	
① Search address clear ② Escape the search input mode	During address input Address = 0	CLEAR	A8-45
Change the search address input mode (Off→absolute address→addition→subtraction→Off) *Use for other numerical value input.		+10	A8-1F
Search execution (ignore the wrong address)		CHAP/TIME	A8-13
Side change (side B→side A)	LD	SIDE A	A8-4D
Side change (side A→side B)	LD	SIDE B	A8-4E
Tracking open	PLAY	STEP FWD	A8-54
Tracking close	PLAY	STEP REV	A8-50
Slider in	TR : Off	SCAN REV Shuttle REV	A8-11 A8-2C to 2F
Low speed scan REV	TR : On	SCAN REV	A8-11
Scan REV (Jump number is variable)	TR : On	Shuttle REV	A8-2C to 2F
Slider out	TR : Off	SCAN FWD Shuttle FWD	A8-10 A8-28 to 2B
Low speed scan FWD	TR : On	SCAN FWD	A8-10
Scan FWD (Jump number is variable)	TR : On	Shuttle FWD	A8-28 to 2B
Loading in	STOP	SKIP REV	A8-53
Loading out	STOP	SKIP FWD	A8-52
Tilt neutral		SPEED DOWN	A8-46
Tilt servo on		SPEED UP	A8-47
Tilt servo off	Tilt : On/N	SKIP REV SKIP FWD	A8-53 A8-52
Tilt up	PLAY	SKIP FWD	A8-52
Tilt down	PLAY	SKIP REV	A8-53
LD on		TEST + 1	A8-5E + A8-01
Focus on		TEST + 2	A8-5E + A8-02
Focus sweep		TEST + 3	A8-5E + A8-03
Focus jump +		MULTI FWD	A8-58
Focus jump -		MULTI REV	A8-55
Spindle FG on		TEST + 5	A8-5E + A8-05
AGC on/off	AGC : Off/On	TEST + 7	A8-5E + A8-07
Indication of the FTS coefficient	After the address four-digit input	TEST + 9	A8-5E + A8-09
CD error rate indication	PLAY	TEST + 0	A8-5E + A8-00
Jitter indication		TEST + DIG/ANA	A8-5E + A8-0C
Screen indication on/Switching of the first screen and second screen	OSD Off/On	DISPLAY	A8-43
Screen indication off	OSD : On	AUDIO	A8-1E
Screen indication on/off		PROGRAM	A8-4C
Switching of ID display methods (decimal/hexadecimal)		DIG/ANA	A8-0C
DISC type designation • Forced designation to DVD • Forced designation to CD • Request for Disk sensing	STOP	HILITE/INTRO +1 +3 +0	A8-5A +A8-01 +A8-03 +A8-00
Tray close of disk sense inhibition	Checker mode	REPEAT A	A8-48
Background color (eight colors) switching		2/R	A8-49
Background color (eight colors) switching (reverse toggle)		1/L	A8-4B
Video : component output		DIGITAL EFFECT	A8-5C
Video : composite output		STILL WITH SOUND	A8-5B

● Special Mention Item

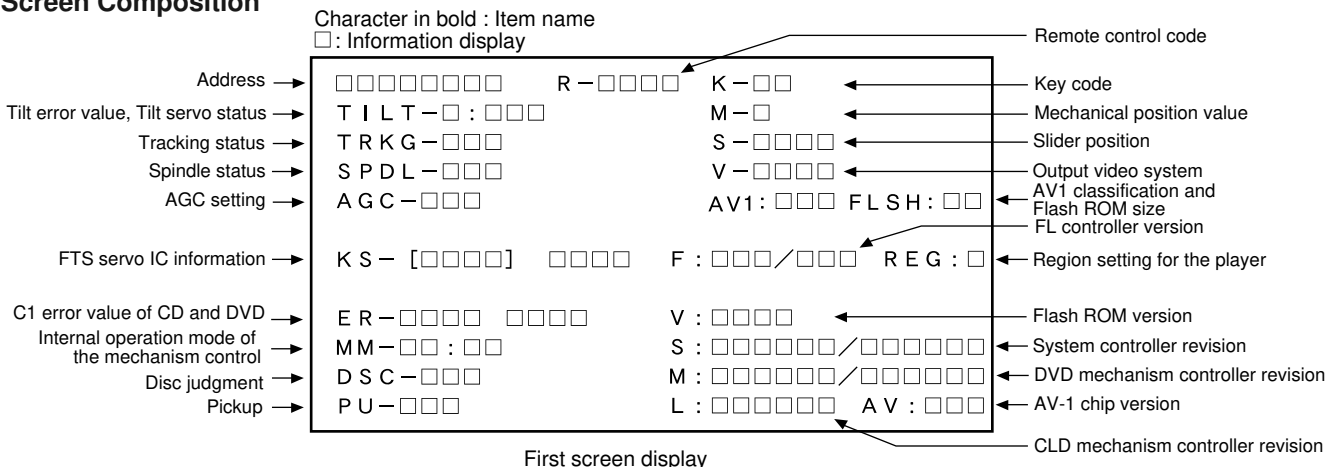
- (1) Indications for the spindle status are as follows:
 A/B : Spindle accelerator and brake
 FG : FG servo
 SRV : Rough, velocity/phase servo
 O_S : Offset addition, rough, velocity/phase servo
- (2) The movement of loading in/out starts from the tray open status. After that, this function is executed unless a play and close operation are done.
- (3) There are three methods for entering a search address:
 - ① Absolute address designation
 → Searching for the address entered (indication for the most significant digit :>)
 - ② Additional input
 → Searching for the address with the current ID number plus an entered number (indication for the most significant digit :+)
 - ③ Subtractive input
 → Searching for the address with the current ID number minus an entered number(indication for the most significant digit :-)
 The above modes can be changed by pressing [10] key.

Note : A number for addition or subtraction must be entered in hexadecimal.
- (4) If you turn the power on while short-circuiting the short-circuit terminal at the side of the system controller, the player will forcibly enter the test mode. If the FL controller is set to Checker mode, disc sensing will not be started, even if a disc is loaded. Disc sensing will also not be performed if the tray is opened/closed by your pressing [REPEAT A] key while in Checker mode. However, disc sensing will be started if the [OPEN/CLOSE] key on the player or on the remote control unit is pressed.
- (5) If disc-type designation is forcibly executed during a mode other than Checker mode, the system controller will abandon disc-type designation after setting the mechanism controller. Therefore, after startup of the player, disc sensing will be performed again for safety. If disc-type designation is forcibly executed during Checker mode, as disc-type designation is not abandoned, playback will be immediately started.
- (6) A background color change in order of blue → green → light blue → red → purple → yellow → gray → black → with the [2/R] key. It changes in order of gray → yellow → purple → red → light blue → green → blue → black → in the case of the [1/L] key.
- (7) In case of PD0260A*, tilt servo on function may not move with DVD.

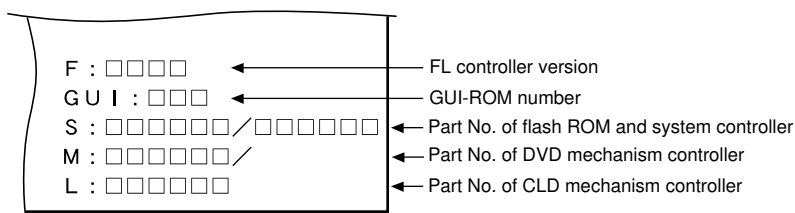
3.7 Test Mode Screen Display (The Second Generation)

Consecutive double-OSD display is supported during test mode. The screen is composed 10 lines with a maximum of 32 characters per line. It can't be used with the debugging display mode together.

• Screen Composition



Caution :
 The first screen and second screen switch by pressing [DISPLAY] key of the remote control unit.
 It is only a version display part on the lower right of the screen those contents of display change.
 ATB : ON/OFF information display and AGC manual establishment display deleted with the second generation.



Second screen display (at lower right portion of the screen)

• Description of Each Item on the Display

(1) Address indication

The address being traced is displayed in number.

DVD : ID indication (hexadecimal number, 8 digits) [*****]
 CD/LD (CLV) : A-TIME (min. sec.) [○○○○****]
 LD (CAV) : FRAME [○○○*****]
 (Note : For DVDs, decimal-number indication is possible.)

(2) Code indication of the remote control unit [R-****]

The code for the key pressed on the remote control unit, which is received by the FL controller, is displayed while the key is pressed. In the case of the double code, the second code will be displayed.

(3) Key code indication for the main unit [K-**]

The code for the key pressed on the main unit, which is received by the system controller, is displayed while the key is pressed.

(4) Tilt error value, Tilt servo status [TILT-*:****]

Tilt error value : [0] to [F]
 Tilt servo status :
 Tilt neutral [N]
 Tilt servo on [ON]
 Tilt servo off [OFF]

(5) Tracking status [TRKG-****]

Tracking on [ON]
 Tracking off [OFF]

(6) Spindle status [SPDL-****]

Spindle accelerator and brake [A/B]
 FG servo [FG]
 Rough, velocity phase servo [SRV]
 Offset addition, rough, velocity phase servo [O_S]

(7) Mechanism position value [M-*]

Position code [0] to [8]

(8) Slider position [S-****]

CD TOC area [IN]
 CD active area [CD]
 CDV video area [CDV]
 LD active area [LD]
 Side B inside [B IN]

(9) AGC setting [AGC-**]

AGC on [ON]
 AGC off [OFF]

(10) Output video system [V-****]

NTSC system [NTSC]
 PAL system [PAL]
 Auto-setting [AUTO]

(11) FTS servo IC information

Indications for the following two types of information can be switched:

- ① DSP coefficient indication [KS-[****] ****]
 Displays the address (four digits) of the specified coefficient and the setting value (four digits) with [TEST] and [9] keys.
- ② Jitter value indication [JT-[○○○○]****]
 Displays the jitter value (four digits) with [TEST] and [DIG/ANA] keys.

(12) Error rate indication

- ① C1 error value of CD [ER-C1 ****]
- ② C1 error value of DVD [ER-**** ****]

(13) Internal operation mode of mechanism controller [MM-***:***]

Internal mechanism mode (2 digits) and internal mechanism step (2 digits) of the mechanism controller
 Note : For details, see the specifications of the mechanism controller.

(14) Disk sensing [DSC-****]

The type of discs loaded is displayed.
 [DVD], [CD], [CDV], [LD], [VCD], []

(15) Pickup [PU-****]

The pickup being operating is displayed.
 DVD [DVD]
 CLD [CLD]

(16) Destination setting of the FL controller [F:***/**]

Three characters in front represent the type of model:
 505: DV-505, S9: DV-S9
 606 : DV-606D, EDU: for education
 909: DVL-909, K88: DVL-K88.

Three characters that follow represent the destination code.
 J : /J, K: /KU, /KC, /KU/KC, RAM: /RAM (China)
 RL : /RL, WY: /WY, RD: /RD.

* Furthermore DVL-91/KU/CA indicates as L91/K.

(17) Region setting of the player [REG:*]

Setting value [1] to [6]

(18) Version of the flash ROM [V:*.**]

(19) Revision of the system controller [S:*.**/**.***]

- ① Revision number of the external ROM part (flash ROM) of the system controller <Front>
- ② Revision of the internal ROM part of the system controller <Rear>

(20) Revision of the DVD mechanism controller**[M:*.***/*.***]**

- ① Revision number of the external ROM part (flash ROM) of the DVD mechanism controller <Front>
- ② Revision of the internal ROM (core part) of the DVD mechanism controller <Rear>

(21) Revision of the CLD mechanism controller**[L:*.***]****(22) Version of the AV-1 chip [AV:*.]*****(23) Version of the FL controller [F:*.]*****(24) Control number of the GUI-ROM [GUI:***]****(25) The part number of the flash ROM and system controller [S : *****/*****]**

- ① Part number of the flash ROM <Front>
(Example) VYW1536-A → W1536A
(Example) PD626A9 → 6256A9
- ② Part number of the system controller <Rear>
(Example) PD3381T1 → 3381T1

(26) Part number of the DVD mechanism controller

(Example) PD4889A0 → 4889A0

(27) Part number of the CLD mechanism controller

(Example) PD0260A2 → 0260A2

(28) AV1 classification [AV1 : *]**

RAM, E/A, S/C

(29) Flash ROM size [FLSH : **]

8M : 8M bit, 4M : 4M bit

3.8 DESCRIPTIONS OF NEW FUNCTIONS IN TEST MODE**3.8.1 Error Rate****● Overview**

The error rate of CDs can be measured on basic models, such as the DV-505, and that of CDs as well as LDs with sub-Q codes can be measured on DVD/LD-compatible models, such as the DVL-909. The value is displayed in decimal and indicates the number of C1 errors (including the corrected ones) counted during the specified measurement time.

An indeterminate measurement result may be caused by a dirty disc, decentering, surface deflection, birefringence (double reflection), or a pickup problem (dirty lens, etc.), misadjustments of the pickup, improper automatic adjustment, or incomplete adjustments. On the manufacturing line, the value is used for yes/no decision of pickups. Normally, for a measurement for 5 seconds, the value may be less than 10 with a clean disc and less than 100 with a disc with some damage.

● Using the Function in Test Mode (The Remote Control Keys to be Used are Indicated in Brackets)

- (1) Set the CD to trace (playback) state.
- (2) Set the player to Number input mode by pressing [+10] and enter the measurement time in a range of 1 to 5 (sec.).
- (3) Start measurement by pressing [TEST] + [0]. The SubQ counter stops during measurement, but this is not a malfunction. When the specified measurement time has elapsed, the result is indicated to the right of "ER C1 -" on the screen. If you skip step 2, the measurement time is set to 5 (sec).

3.8.2 Jitter Value**● Overview**

The jitter values of DVDs and CDs can be displayed on basic models, such as the DV-505, and those of DVDs can be displayed on DVD/LD-compatible models, such as the DVL-909.

The displayed value shows a voltage in three-digit decimal as ○○○V. For example, the indication "0278" means 2.78 V. The larger the value, the worse the jitter. The worst value is 3.25 V. When playing a DVD or a video CD with which the jitter value is extremely high, mosaics may be seen. As with the error rate, the jitter depends on the disc and pickup. The jitter value to be displayed has no close correlation with a jitter measuring device, and is to be regarded just for reference.

Reference : When the jitter value is 2.9 V or more with a DVD, or 3.0 V or more with a CD (or a video CD), it may cause a problem (mosaic, audio distortion, etc.) in playback.

● Using the Function in Test Mode (The Remote Control Keys to be Used are Indicated in Brackets)

- (1) Set the DVD or CD to trace (playback) state with AGC OFF.
- (2) Press [TEST] and [DIGITAL/ANALOG].
The current jitter value appears to the right of "JT:○○○○" on the display. The jitter value keeps changing unless any additional key operation is made.

Note : Although a value may be displayed on the screen even with AGC ON, this is NOT a jitter value.

The jitter value with AFB ON cannot be displayed (see the next section). The jitter value with AFB ON can be obtained only by directly measuring the voltage at the JV connector (pin 94) of the servo DSP (LC78650).

3.8.3 Startup Sequence

The basic flow is shown below. The parentheses indicate a limitation: “base” represents base models, such as the DV-505 and DV-S9, and “compatibles” represents DVD-LD compatible models, such as the DVL-909.

- (1) Closes the tray.
- (2) Runs the tilt servo for 1.5 seconds (compatibles).
- (3) Detects the peak.
- (4) Distinguishes the disc.
- (5) SGC
- (6) Turns on the focus servo.
- (7) Turns on the tilt servo (compatibles).
- (8) Starts the spindle rotation.
- (9) ATB
- (10) Measures the MIRR modulation degree.
- (11) Turns on the tracking servo.
- (12) Turns on the slider servo.
- (13) Turns on the spindle servo.
- (14) Focus AGC
- (15) Tracking AGC
- (16) AFB
- (17) Plays AGC (base for CDs)
- (18) Plays back.

* For a 2-layer DVD, steps (9) through (16) are repeated for each layer.

* When starting up with [TV/LDP] in Test mode, all the steps (1) to (18) are performed for a DVD, and steps (1) to (10) are performed for a CD.

3.8.4 Peak Detection

● Overview

This is a new function to measure the size and location of the sine wave related to focus errors at the beginning. The measurement is performed in the normal startup process and in Test mode, as well. If the sine wave is small, the OE IC gain is switched. Only the judgment for NO DISC is accomplished at this time. The operation is in effect as for judgment for DISC.

● Using the Function in Test Mode

This function is not assigned to any remote control keys. Only an open/close operation can trigger the function.

3.8.5 Disc Distinction

● Overview

This function is almost the same as that with the first-generation models. The only difference is as follows: If an error occurs in the startup sequence and playback cannot be started, startup is retried after forcibly switching the disc distinction from DVD to CD or vice versa by a backup process. If startup fails again, it is canceled, and an error is generated. The types of error that triggers the backup process for disc distinction are discussed in the next section.

● Using the Function in Test Mode

This function is not assigned to any remote control keys. Only an open/close operation can trigger the function.

3.8.6 SGC

● Overview

This is a new function to maintain the sine wave related to focus errors to a certain size so that the sine wave shows 1.8 V for the P-to-P value.

This operation is performed each time after judging disc presence and distinction in the normal startup process and in Test mode, as well. The operation is achieved by switching the FE gain inside the RF IC (LA9700) by using the voltage at the SGC connector (pin 22) of the RF IC.

● Using the Function in Test Mode

This function is not assigned to any remote control keys. Only an open/close operation can trigger the function.

3.8.7 Measurement of MIRR Modulation Degree

● Overview

The slice voltage of the RF signal is measured and used in the calculation to generate the MIRR signal. This operation is made in synchronization with ATB ON/OFF in normal startup and in Test mode, as well.

3.8.8 AFB (Auto Focus Bias) Function

● Overview

Among the first-generation models, this function supports only CDs with the basic models, such as the DV-7. Among the new models, this function supports DVDs with all models, but CDs only with the basic models. The operation is executed only once (once for each layer for a 2-layer DVD) after the focus and tracking AGC at startup. The operation is accomplished not by centering the focus servo to Vref (2.5 V), but by gradually changing the center value for the optimum jitter value. Thus, performance with an improper or dirty disc (by fingerprints, etc.), or the temperature characteristics (at 0°C, 35°C, etc.) will be improved.

● Overview Using the Function in Test mode (the Remote Control Keys to be Used are Indicated in Brackets)

As the function is to be synchronized with AGC, turn on and off AFB by pressing [TEST] + [7]. The jitter value measurement cannot be made with AFB ON.

3.8.9 PLAY AGC

● Overview

The SGC voltage is adjusted during playback according to the RF signal level. (For details on SGC, see section 3.8.6.)

Only for CDs in basic models, such as the DV-505 (including the DV-S9), this adjustment is made only once immediately after AFB during startup. In Test mode, it synchronizes with AGC ON/OFF. The operation is achieved through adjustment in the Servo DSP (LC78650), and the SGC voltage is output via AUX0 (pin 44).

● Using the Function in Test Mode (the Remote Control Keys to be Used are Indicated in Brackets)

As the function is to be synchronized with AGC, turn on and off AFB by pressing [TEST] + [7].

3.9 Additional Descriptions of Error Generation

This section describes the major errors of the mechanism-control computer.

(1) DISC Distinction Error (Error 38)

The most common error. The tracking overcurrent error (Error c3), Defocus error (Error 33), spindle errors (Errors 41 to 4b), auto sequence errors (Errors 51 to 55) and code misread errors (71 to 74) often lead to this error.

(2) Search Errors (Errors 11, 12, 19)

Almost all cases where playback suddenly stops may involve these errors. They may be generated because of defects on the disc, or if the pickup goes too far over the inner periphery with DVD/LD-compatible models. As with the code misread errors below, they can also be generated by a dirty disc or bad jitters.

(3) Code Misread Errors (Errors 71 to 74)

Almost all cases where the inserted disc does not start or immediately stops playing may involve these errors. They may be generated because of a dirty disc or bad jitters. A bad jitter may be caused by a dirty disc, decentering, surface deflection, birefringence (double reflection), or a pickup problem (dirty lens, etc.), misadjustments of the pickup, improper automatic adjustment, or incomplete adjustments.

(4) Spindle Errors (Errors 48, 49)

An FG transition timeout (Error 48) may be generated because of instability of the FG signal or unavailability of spindle drive voltage. A PLL transition timeout (Error 49) can be generated with a dirty disc.

(5) Automatic Sequence Errors (Errors 51 to 55)

If any automatic sequence (auto execution command) of the servo DSP is not completed, these errors are generated. The causes differ among error numbers. They may be caused by abnormalities in the communication line between the mechanism-control computer (PD4889A) and the servo DSP or instability of the XABUSY connector (pin 38) of the mechanism-control computer.

(6) DSP Communication Errors (Errors a1 to a6)

These errors will be generated if the mechanism-control computer cannot properly communicate with the servo DSP. They may be caused by instability of the XCBUSY connector (pin 8) of the mechanism-control computer, instability of the communication line between the mechanism-control computer and the servo DSP, or a defect in the servo DSP.

(7) DVD Block Noise, etc.

Block noise and momentary picture freeze (*) with a DVD are not regarded as errors, but the causes of these symptoms in the Servo system may be:

- (1) A search takes a long time (leading to a search error if it worsens).
- (2) Codes cannot be read clearly (leading to a code misread error if it worsens).

If the value to the right in the "ER: ○:○e-" indication displayed on the screen by pressing the ESC and DISP keys of the remote control in Test mode is greater than 5, the cause may be (1). If the value is less than 3, the cause may be (2).

- (*) With a specific 2-layer disc with which playback continues from layer 1 to 2 or vice versa, the picture may be seen momentarily stop. This may be attributed to the performance of the player. Players of other manufacturers have the same symptoms to varying degrees.

4. IC INFORMATION

• The information shown in the list is basic information and may not correspond exactly to that shown in the schematic diagrams.

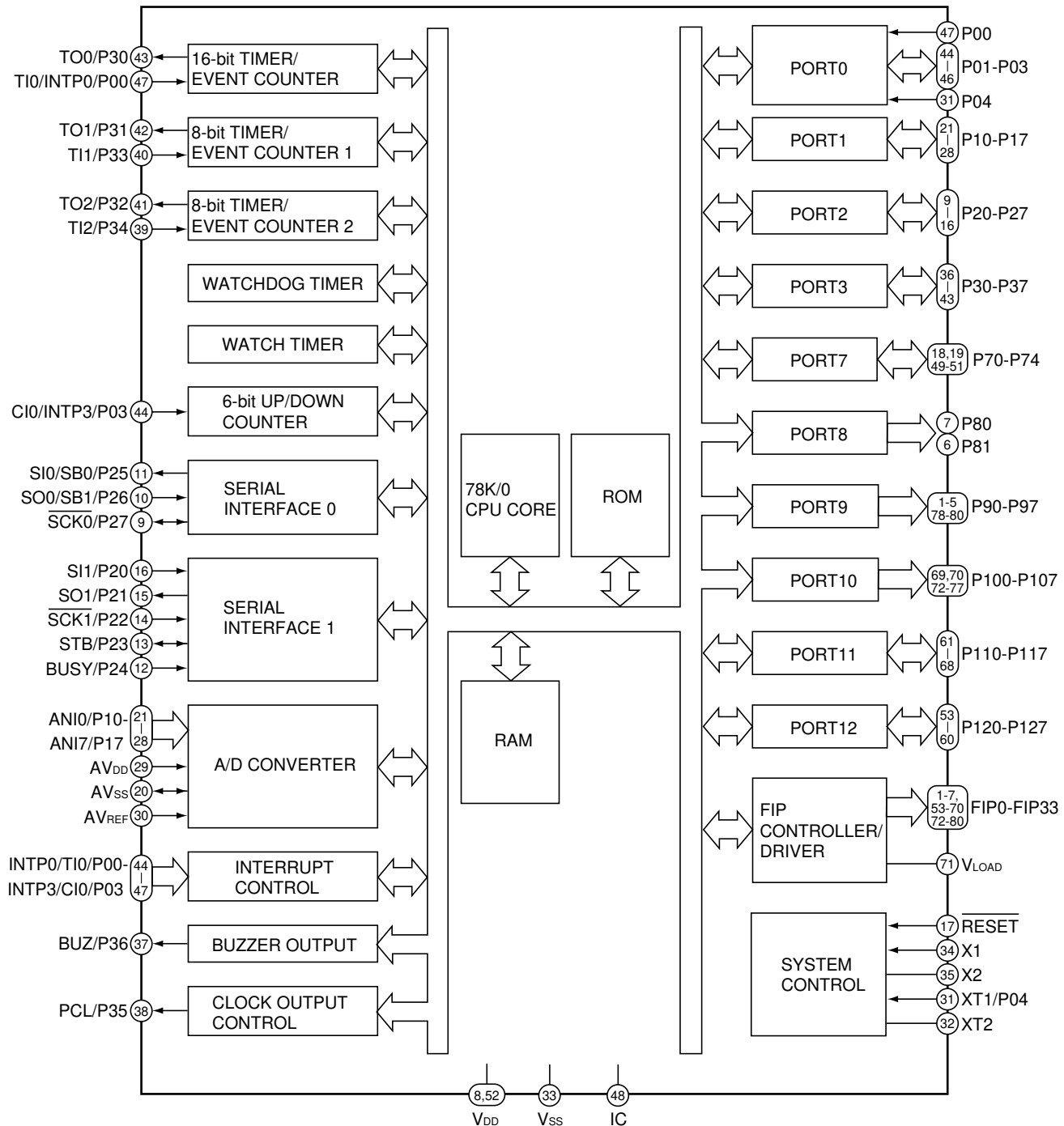
• List of IC

PD4890A, PD0260A2, PD0261A2, LA9700M, BA6195FP, LC78650E-P, PD4889A, SRM2B256SLMX70, VYW1536, PD3381A, MB86371, MB811171622A-100FN, CY2081SL-611, PD2058A

■ PD4890A (FLKB ASSY : IC101)

• Mode Control IC

• Block Diagram



● Pin Function

No.	Mark	Pin Name	I/O	Function
1	P94	G7	O	FL timing output H : ON
2	P93	G6		
3	P92	G5		
4	P91	G4		
5	P90	G3		
6	P81	G2		
7	P80	G1		
8	VDD	VCC	-	Power supply pin
9	P27	(NC)	O	Not used
10	P26	(NC)		
11	P25	(NC)		
12	P24	LAMP	O	DVD lamp ON/OFF H : ON
13	P23	XREADY	O	Communication handshake line with the system controller L : Permit the communication
14	P22	SCK	I/O	Communication clock output with the system controller
15	P21	SO	I/O	Communication data output with the system controller
16	P20	SI	I	Communication data input with the system controller
17	RESET	RESET IN	I	Reset input L : reset
18	P74	(NC) (DV-505)	O	Not used
		SIDE A LED (DVL-909)	O	SIDE A LED ON/OFF L : ON
19	P73	(NC) (DV-505)	O	Not used
		SIDE B LED (DVL-909)	O	SIDE B LED ON/OFF L : ON
20	AVss	Vss	-	GND pin
21	P17	POWER ON	O	SW 5V ON/OFF H : ON
22	P16	RESET OUT	O	System reset output L : reset
23	P15	(NC)	O	Not used
24	P14	(NC)		
25	P13	KIN1	I	Key input
26	P12	KIN0		
27	P11	MS1	I	Destination judgement input
28	P10	MS0		
29	AVDD	AVDD	-	Power supply pin
30	AVREF	AVREF	-	Reference voltage
31	P04	P04	I	Not used
32	XT2	(NC)	-	Not used
33	VSS	VSS	-	GND pin
34	X1	X1	I	Connect a microprocessor clock
35	X2	X2	-	
36	P37	(NC)	O	Not used
37	P36	(NC)		
38	P35	(NC)		
39	P34	P34	I	Not used
40	P33	P33		

DV-505, DVL-909, DV-S9

No.	Mark	Pin Name	I/O	Function
41	P32	P32	I	Not used
42	P31	P31		
43	P30	(NC)	I	Not used
44	P03	P03	I	Not used
45	P02	ON POWER	I	Switch the STBY/POWER ON at rising edge the FL controller L : STBY
46	P01	LT	I	Communication handshake line with the system controller H : Permit the communication
47	P00	SEL IR	I	Remote control signal input
48	IC	IC	-	-----
49	P72	(NC)	O	Not used
50	P71	FL OFF LED (DV-505)	O	FL OFF LED ON/OFF L : ON
		(NC) (DVL-909)	O	Not used
51	P70	(NC)	O	Not used
52	VDD	VDD	-	Power supply pin
53	P127	(NC) (DV-505)	O	Not used
		FL OFF LED (DVL-909)	O	FL OFF LED ON/OFF H : ON
54	P126	(NC)	O	Not used
55	P125	(NC)		
56	P124	(NC)		
57	P123	(NC)		
58	P122	(NC)		
59	P121	(NC)		
60	P120	(NC)		
61	P117	P15	O	FL segment output H : ON
62	P116	P14		
63	P115	P13		
64	P114	P12		
65	P113	P11		
66	P112	P10		
67	P111	P9		
68	P110	P8		
69	P107	P7		
70	P106	P6		
71	VLOAD	-27V	-	- 27V input H : ON
72	P105	P5	O	FL segment output H : ON
73	P104	P4		
74	P103	P3		
75	P102	P2		
76	P101	P1		
77	P100	G11	O	FL timing output H : ON
78	P97	G10		
79	P96	G9		
80	P95	G8		

■ PD0260A2, PD0261A2 (CLDM ASSY : IC101)(DVL-909 ONLY)

• Mechanism Control IC

• Pin Function

No.	Pin Name	I/O	Function
1	VCC	I	Power supply pin Apply 5V ± 10%
2	RWC	O	DSP read/write command signal output "L"= Read "H"= Write
3	XPLAY	O	Signal output during spindle servo "L"= During servo "H"= During acceleration, brake and stop
4	CLK:SCK3/CQCK	O	DVP/DSP clock switch "H"= DVP "L"= DSP
5	XCD	O	LD/CD switch signal output "L"= CD "H"= LD
6	TILT ERR	I	A/D • This signal is A/D converted as the tilt servo control input. Control the tilt motor so that this signal becomes 2.5V.
7	TRK BAL ERR	I	A/D • Tracking balance error signal input This signal is A/D converted as the tracking offset control input.
8	SLD ERR	I	A/D • This signal is A/D converted as the slider servo control input. Control the slider motor so that this signal becomes 2.5V.
9	SLD POS	I	A/D • Pickup position detection switch input Detect the position by reading A/D input value which each switches are resistance divided.
10	FSEQ	I	Subcode sync. confirmity detection signal input "L"= Not confirmity "H"= Confirmity
11	C DETECT	I	Spindle over-current detection signal input "L" = Over current "H"= Normal
12	TRK BAL DRV	O	PWM • Output the tracking offset signal to PWM output, then use for auto tracking offset. 910 μsec period, tri-state control H, L, Z
13	SHAKE	I/O	Handshake signal for data communication with the DVD mechanism control IC This pin is the bilateral data line and each microprocessor control the Input/Output.
14	RF CORRECTION	O	RF correction switch signal output "H"= Gain UP CD, CDV-A:Low, CAV inner circuit gain up, others are High.
15	SQOUT	I	Command data input from DSP Read out SUBQ
16	SO3/COIN	O	Command data output to DVP/DSP
17	SCK3/CQCK	O	DVP/DSP read/write command clock output Read-in at rising edge
18	SLD OUT	O	PWM • Slider control signal output 5V= FWD, 0V= REV, 2.5V= STOP 910 μsec period, tri-state control
19	SI1	I	Data input from the DVD mechanism control IC
20	SO1	O	Serial data output to the DVD mechanism control IC
21	SCK	I/O	Clock for serial communication with the DVD mechanism control IC Becomes input mode without communicate with the DVD mechanism control IC
22	TRK 0 CRS	I	INT • Tracking error zero cross signal input Monitor this signal when searching track count in the miss clamp detection
23	SBSY	I	Subcode block sync. input
24	TILT OUT	I/O	LOAD/TILT control output PWM output 0V : Tray IN / Tilt DOWN, 5V : Tray OUT / Tilt UP, 2.5V : STOP
25	TURN OUT	O	Turn drive signal output
26	XPBV	I	Playback vertical sync. signal input of LD/CDV "L"= During vertical sync.
27	CNVSS	I	Ground for A/D conversion
28	XRESET	I	Reset signal input "L"= Reset "H"= Release reset Control with the DVD mechanism control IC.
29	XIN	I	9MHz clock oscillation input
30	XOUT	O	9MHz clock oscillation output

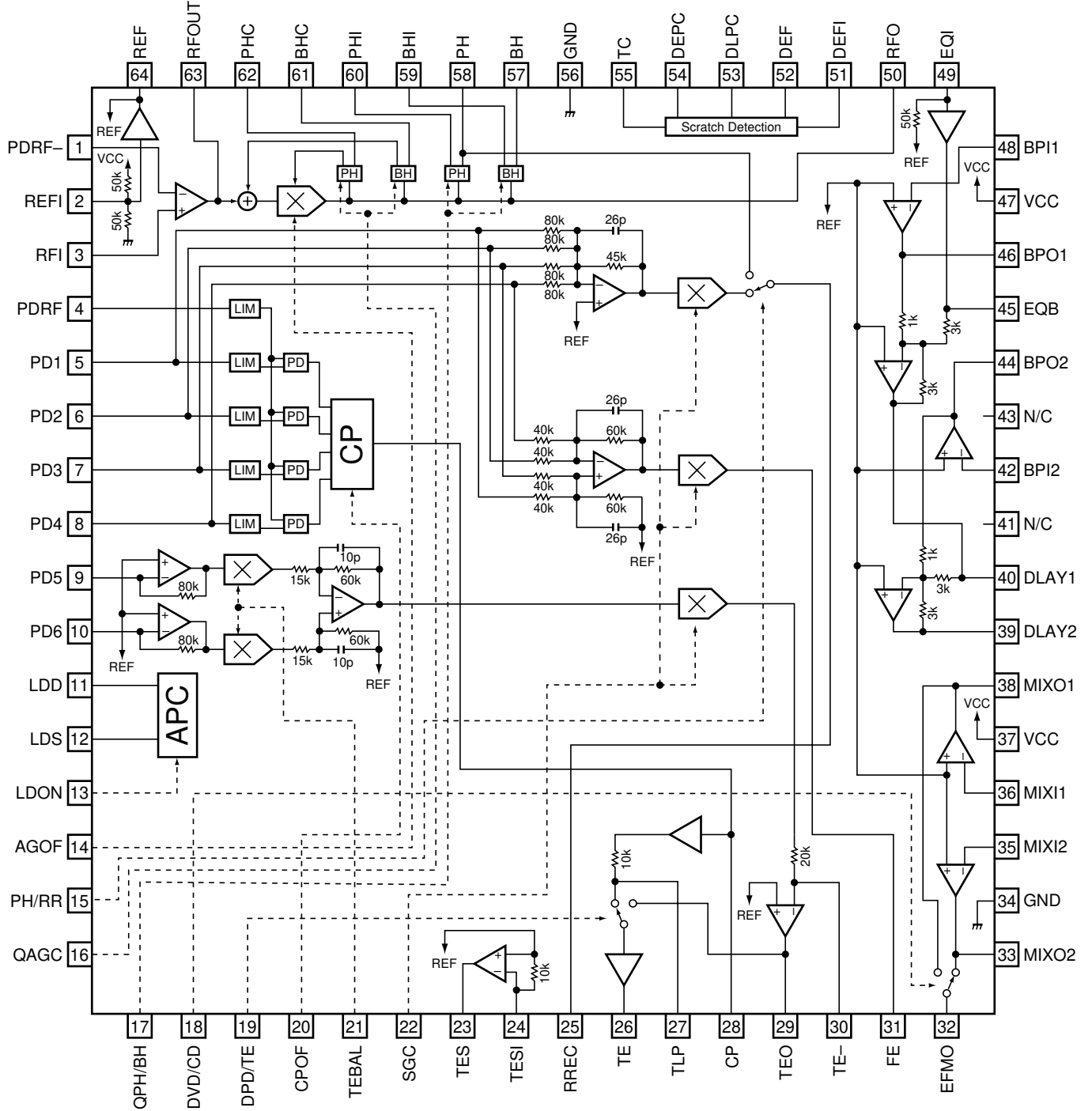
DV-505, DVL-909, DV-S9

No.	Pin Name	I/O	Function
31	PHAI	O	Not used
32	GND	I	Ground
33	SW1	I	Switch input for Loading/Tilt position detection
34	SW3		
35	SW2		
36	TBCLOCK	I	Spindle lock signal input "L"= Unlock "H"= Lock
37	FG	I	Spindle motor FG signal input 16 outputs per rotation Used after dividing by 2 in the microprocessor
38	DATA	I	Input for Phillips code decoder with built-in mechanism controller
39	XPBH	I	Playback H-SYNC input for Phillips code decoder
40	XPBV	I	Playback V-SYNC input for Phillips code decoder
41	DEXT	O	Control signal output of video dynamic range extension "H"= ON "L"= OFF
42	WFM/VLOCK	I	Field discrimination signal from DVP "H"= ODD "L"= EVEN (with memory) VLOCK signal at clear scan (with no memory)
43	LATMEM	O	Serial control latch output of memory control IC PD3212A Latches at falling edge.
44	XPFR	O	PD0260A2 : 17MHz PLL control signal output H : Phase comparison L : Free-run PD0261A2 : Not used
45	XP/N2	O	PD0260A2 : NTSC/XPAL circuit switching signal output excepting VDEM H : NTSC L : PAL PD0261A2 : Not used
46	HQ	O	PD0260A2 : Control signal output of the High Quality circuit (analog NR) H : Through the HQ circuit L : Not through PD0261A2 : Not used
47	THLD	I	Track jump accelerating / decelerating signal input "L"= Others "H"= During accelerating / decelerating
48	LATDVP	O	PD6159B serial latch signal output Latches at falling edge.
49	SELTZC	O	TZC switch signal output "H"= at normal "L"= at CD/DVD disc discrimination
50	DOCINH	O	Control the clamp pulse and clamp killer circuit by tri-state value
51	XP/N1	O	PD0260A2 : NTSC/XPAL circuit switching signal output for VDEM H : NTSC L : PAL PD0261A2 : Not used
52	NROFF	O	Noise reduction control output by VDEM "L"= Normal "H"= Not NR
53	DSCDET	I	Disc present/absent detecting signal input by the tilt sum in the DVD P.U. mode "H"= Absent "L"= Present DEFECT input at LD P.U.
54	XTURNB	I	Turn switch input "H"= Side A / turn "L"= Side B
55	XTURNA	I	Turn switch input "H"= Side B / turn "L"= Side A
56	XLPO	I	LD P.U. out position detecting switch input "H"= LD P.U. active "L"= LD P.U. out position
57	VDET	I	Use for power abnormal signal input port "L"= Normal "H"= Abnormal
58	XFOK	I	Focus servo lock signal input "L"= Lock "H"= Unlock Use for lock detection of focus servo
59	WRQ	I	Subcode Q reading OK signal input "L"= NG "H"= OK This pin will be H when subcode Q data passed by CRC check.
60	AC3MUTE	O	Mute control signal output for AC3 Release MUTE during playback. "L"= Release MUTE "H"= MUTE
61	SQ1	O	Analog audio switching signal output 1/L "L"= Squelch OFF "H"= Squelch ON
62	SQ2	O	Analog audio switching signal output 2/R "L"= Squelch OFF "H"= Squelch ON
63	XCX	O	Analog audio CX noise reduction switching signal output "L"= CX ON "H"= CX OFF
64	XANA	O	Digital / Analog audio switching signal output "L"= Analog "H"= Digital

■ LA9700M (DVDM ASSY : IC101)

• RF IC

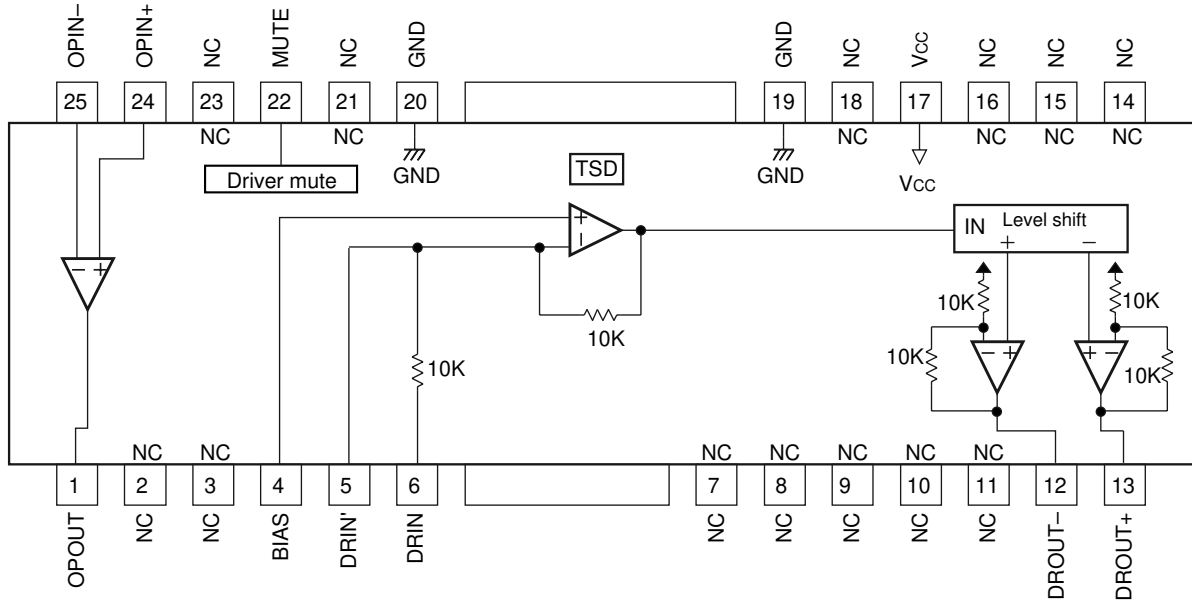
• Block Diagram



BA6195FP (DVDM ASSY : IC161)

• Spindle Driver

• Block Diagram



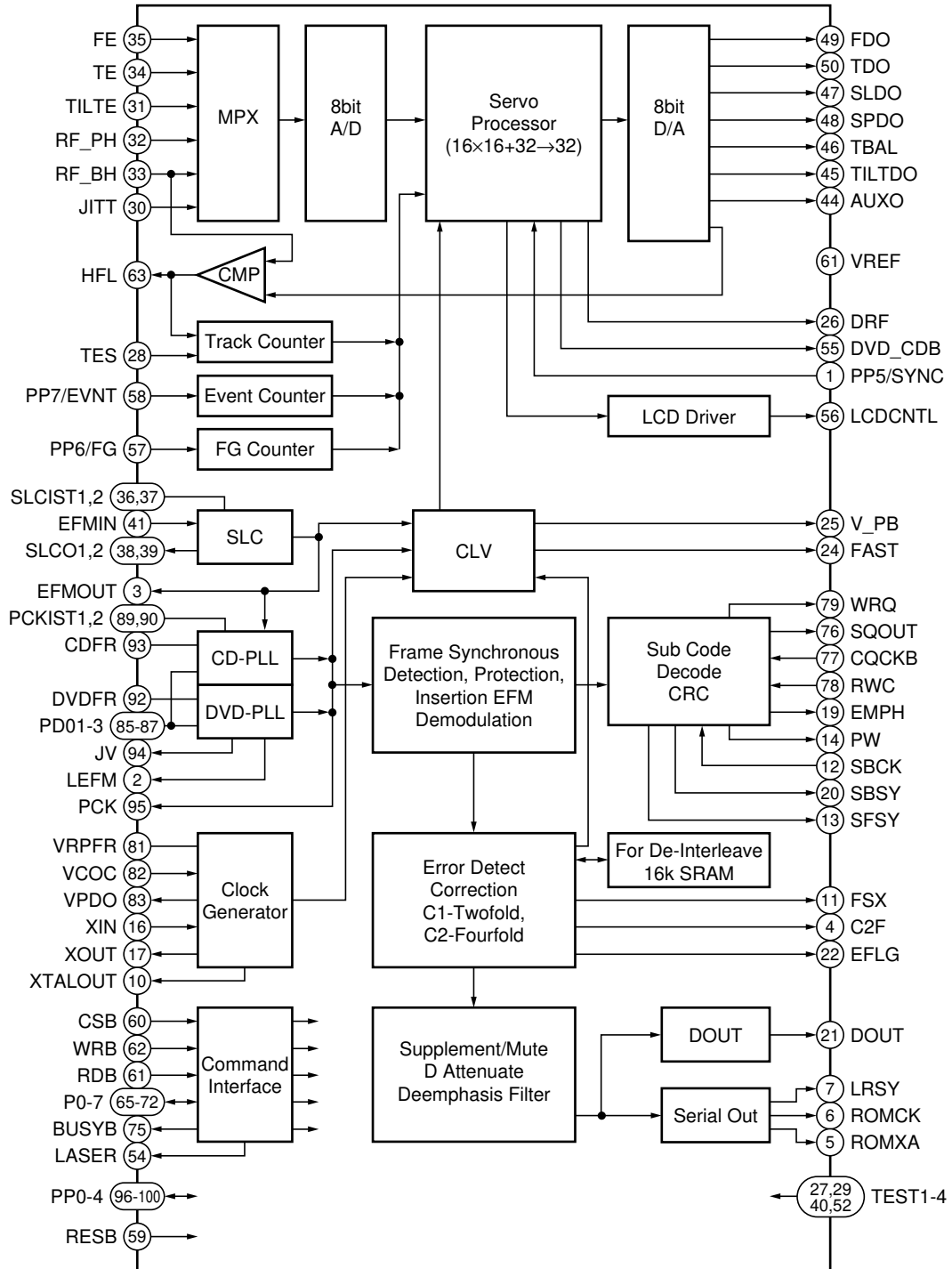
• Pin Function

No.	Pin Name	Function	No.	Pin Name	Function
1	OPOUT	OP amp. output pin	14	N.C.	Non Connection
2	N.C.	Non Connection	15	N.C.	
3	N.C.		16	N.C.	
4	BIAS	Bias pin	17	VCC	Power supply pin
5	DRIN'	Driver gain adjustment pin	18	N.C.	Non Connection
6	DRIN	Driver gain input pin	19	GND	Sub-strait GND pin
7	N.C.	Non Connection	20	GND	
8	N.C.				
9	N.C.				
10	N.C.				
11	N.C.				
12	DROUT -	Driver negative output pin (for input)	21	N.C.	Non Connection
13	DROUT +	Driver positive output pin (for input)	22	MUTE	Mute pin
			23	N.C.	Non Connection
			24	OPIN +	OP amp. non-inverting input pin
			25	OPIN -	OP amp. inverting input pin

■ LC78650E-P (DVDM ASSY : IC201)(DVL-909 only)

• Servo DSP LSI

• Block Diagram



DV-505, DVL-909, DV-S9

● Pin Function

No.	Pin Name	I/O	Function
1	PP5/SYNC	I/O	General-purpose port input/output / DVD sync. signal input
2	LEFM	O	Output the state that cut and out a signal which was binary-stated value EFM/EFM + with PCK.
3	EFMOUT	O	Output the state that was binary-stated value EFM/EFM + .
4	C2F	O	C2 flag output
5	ROMXA	O	ROMXA data output
6	ROMCK	O	Shift clock output for ROMXA data output
7	LRSY	O	L/R clock output for ROMXA data output
8	DVDD2	-	5V power supply
9	VSS	-	GND
10	XTALOUT	O	External system clock output
11	FSX	O	CD 1 frame sync. signal output
12	SBCK	I	Subcode reading out clock input
13	SFSY	O	Frame sync. signal output of subcode
14	PW	O	Subcode P, Q, R, S, T, U, V and W output
15	VSS	-	GND for oscillation circuit
16	XIN	I	Connect a crystal resonator (16.9344MHz)
17	XOUT	O	Connect a crystal resonator
18	DVDD1	-	3.3V power supply of the oscillation circuit
19	EMPH	O	Monitor the deemphasis
20	SBSY	O	Sync. signal output of the subcode block
21	DOUT	O	Output for the digital audio I/F
22	EFLG	O	Error correction state monitor of the error correction C1 and C2
23	FSEQ	O	Detection monitor of the CD/DVD frame sync. signal
24	FAST	O	Playback speed monitor
25	V_PB	O	Monitor output of the rough servo/CLV control
26	DRF	O	In focus monitor
27	TEST3	I	Test input 3
28	TES	I	Tracking error signal input
29	TEST2	I	Test input 2
30	JITT	I	Jitter quantity detecting signal input of EFM/EFM + PLL
31	TILTE	I	Tilt error signal input
32	RF_PH	I	RF peak hold signal input
33	RF_BH	I	RF bottom hold signal input
34	TE	I	Tracking error signal input
35	FE	I	Focus error signal input
36	SLCIST1	-	Current setting pin 1 of the constant current charge pump for SLC
37	SLCIST2	-	Current setting pin 2 of the constant current charge pump for SLC
38	SLCO1	-	Control output 1 for SLC
39	SLCO2	-	Control output 2 for SLC
40	TEST1	I	Test input 1
41	EFMIN	I	EFM/EFM + input
42	AVDD	-	5V power supply of A/D and D/A for servo
43	AVSS	-	GND of A/D and D/A for servo
44	AUXO	O	DA auxiliary output
45	TILTDO	O	Tilt control signal output
46	TBAL	O	Tracking balance control signal output
47	SLDO	O	Sled control signal output
48	SPDO	O	Spindle control signal output
49	FDO	O	Focus control signal output
50	TDO	O	Tracking control signal output

No.	Pin Name	I/O	Function
51	VREF	–	Reference level of A/D and D/A for servo
52	TEST4	I	Test input 4
53	HFL	O	Track detection signal output
54	LASER	O	For laser ON/OFF control
55	DVD_CDB	O	Disc discrimination result output
56	LCDCNTL	O	Pickup liquid shutter control signal output
57	PP6/FG	I/O	General-purpose port input/output / FG signal input
58	PP7/EVNT	I/O	General-purpose port input/output / Event counter input
59	RESB	I	Reset input
60	CSB	I	Chip select input
61	RDB	I	Internal state reading signal input
62	WRB	I	Command / data writing signal input
63	DVDD2	–	5V power supply
64	VSS	–	GND
65	P0	I/O	Command / data input/output
66	P1		
67	P2		
68	P3		
69	P4		
70	P5		
71	P6		
72	P7		
73	VSS	–	GND
74	DVDD1	–	3.3V power supply for internal logic
75	BUSYB	O	Busy signal output of command process
76	SQOUT	O	Serial output of subcode Q
77	CQCKB	I	Data read-out shift clock input of subcode Q
78	RWC	I	Serial output update permission input of subcode Q
79	WRQ	O	Read out ready monitor of subcode Q
80	VSS	–	PLL GND for internal system clock
81	VRPFR	–	VCO oscillation range setting of PLL for internal system clock
82	VCOC	–	Connect a PLL filter for internal system clock
83	VPDO		
84	DVDD2	–	PLL 5V power supply for internal system clock
85	PDO1	–	PLL filter connection pin 1 for EFM/EFM + playback
86	PDO2	–	PLL filter connection pin 2 for EFM/EFM + playback
87	PDO3	–	PLL filter connection pin 3 for EFM/EFM + playback
88	VSS	–	PLL GND for EFM/EFM + playback
89	PCKIST1	–	Current setting 1 of PLL constant current charge pump for EFM/EFM + playback
90	PCKIST2	–	Current setting 2 of PLL constant current charge pump for EFM/EFM + playback
91	DVDD2	–	PLL 5V power supply for EFM/EFM + playback
92	DVDFR	–	VCO oscillation range setting of PLL for EFM + playback
93	CDFR	–	VCO oscillation range setting of PLL for EFM playback
94	JV	O	Jitter monitor of PLL clock for EFM/EFM + playback
95	PCK	O	Bit clock output for EFM/EFM + playback
96	PP0	I/O	General-purpose port input/output
97	PP1		
98	PP2		
99	PP3		
100	PP4		

■ PD4889A (DVDM ASSY : IC501)

• Mechanism Control IC

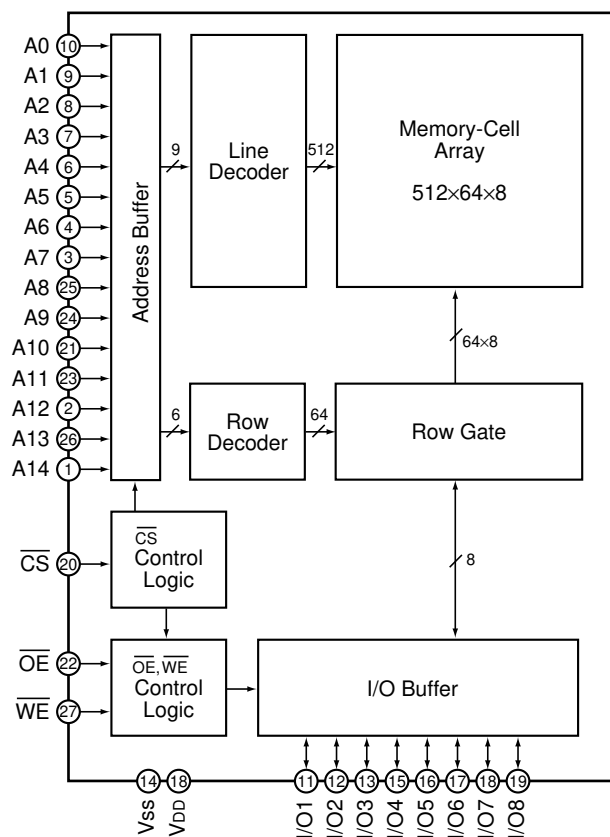
● Pin Function

No.	Pin Name	I/O	Function	No.	Pin Name	I/O	Function
1	LODDR	I/O	Loading motor drive output	33	XDSPRST	-	Reset pulse for servo DSP "L"
2	DVD/XCD	O	Clock switch H : DVD , L : CD	34	ASTB	O	Address strobe of multiplexed address/data bus "H"
3	AGOFF	O	Turn AGC of RF IC to OFF for "H"	35	XRST	I	CPU reset input "L"
4	EFLG	I	Count data input of error rate Measureable by using timer 1 and 2.	36	SBSY	INT	Subcode frame sync. input (H : S0+S1 period)
5	FSX	I	Error rate count area input (EFM frame sync.) H : C1 , L : C2	37	SHAKE	INT	Communication handshake of CLD mechanism controller "L" (DVL-909 only)
6	P35/PCL	-	Not used (pull down)	38	XABUSY	INT	DSP auto sequence busy input "L"
7	XTOFF	I/O	High impedance (input) at DEFECT ON "L" output at DEFECT OFF	39	XIRQ2	INT	LSI-11 interrupt input "L"
8	XCBUSY	I	DVD command reception is possible "L"	40	VDD	-	Power supply pin
9	VSS	-	GND	41	X2	-	Connect a ceramic resonator
10	MAD0	I/O	External address / data bus	42	X1	-	
11	MAD1			43	IC (Vpp)	-	GND
12	MAD2			44	XT2	-	Not used
13	MAD3			45	DVDPPK	I	Park position detection of compatible DVD pickup "L" (DVL-909 only)
14	MAD4			46	AVss	-	GND
15	MAD5			47	LODPOS	I	Loading and clamp position SW input
16	MAD6			48	SLDPOS	I	Slider position SW input
17	MAD7			49	DORPOS	I	Panel position SW input (DV-S9 only)
18	MA8	O	External address bus	50	XCURDET	I	Acuator over-current detection input (former TRDLMT) "L" Servo OFF for 300 ms.
19	MA9			51	DR/XLD	O	Panel and loading switch of PWM output Panel : H , loading : L (DV-S9 only)
20	MA10			52	MON	O	Spindle motor ON output "H"
21	MA11			53	XCD2X	O	Not used
22	MA12			54	OEICG	O	"H" : OEIC gain up to 6dB
23	MA13			55	AVDD	-	Power supply pin
24	VSS	-	GND	56	AVREF	-	Reference power supply pin
25	MA14	O	External address bus	57	P_ERR	O	Not used
26	MA15			58	P21/SO1	-	Not used (pull down)
27	DRF	I	(FOK) Focus OK input	59	P22/XSK1	-	Not used (pull down)
28	V_PB	I	(LOCK) EFM servo lock signal "H"/"L" = rough servo / phase servo	60	XCSB	O	DSP parallel command setting output "L"
29	P62	-	Not used (pull down)	61	CLD	O	CLD circuit block switch (DVL-909 only)
30	WRQ	I	Readable flag of subcode Q	62	LDSO	I	Inputs serial communication output of CLD mechanism controller (DVL-909 only)
31	XRD	O	CPU read pulse "L"	63	LDSI	O	Outputs serial communication input of CLD mechanism controller (DVL-909 only)
32	XWR	O	CPU write pulse "L"	64	LDSCK	I	Inputs serial communication clock output of CLD mechanism controller (DVL-909 only)

■ SRM2B256SLMX70 (DVDM ASSY : IC502)

• 256 K SRAM (For Mechanism Control IC)

● Block Diagram



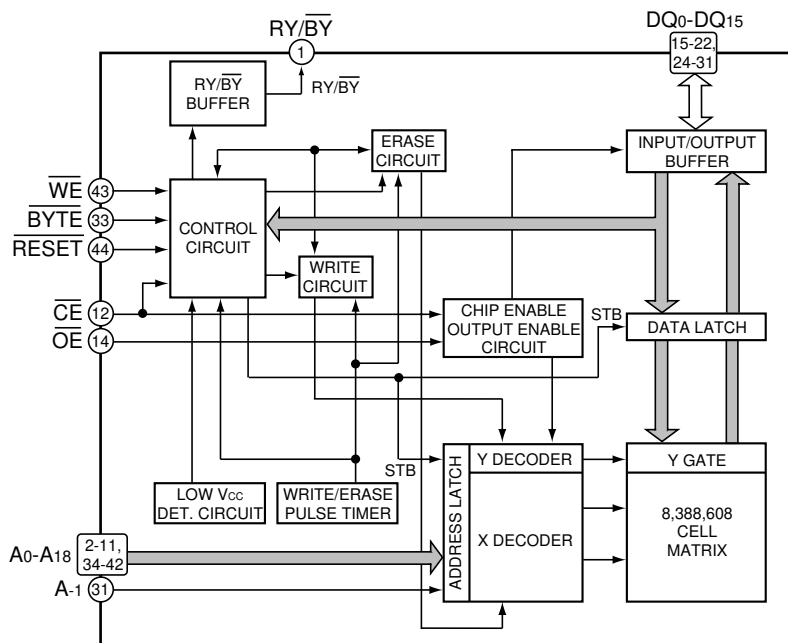
● Pin Function

No.	Pin Name	Function	No.	Pin Name	Function
1	A14	Address input	15	I/O4	Data input/output
2	A12		16	I/O5	
3	A7		17	I/O6	
4	A6		18	I/O7	
5	A5		19	I/O8	
6	A4		20	$\overline{\text{CS}}$	Chip select
7	A3		21	A10	Address input
8	A2		22	$\overline{\text{OE}}$	Output enable
9	A1		23	A11	Address input
10	A0		24	A9	
11	I/O1	25	A8		
12	I/O2	Data input/output	26	A13	Write enable
13	I/O3		27	$\overline{\text{WE}}$	
14	VSS	GND (0V)	28	VDD	Power supply (2.7 to 5.5V)

■ VYW1536 (DVDM ASSY : IC603)(DV-505 and DVL-909 only)

• Flash ROM

● Block Diagram



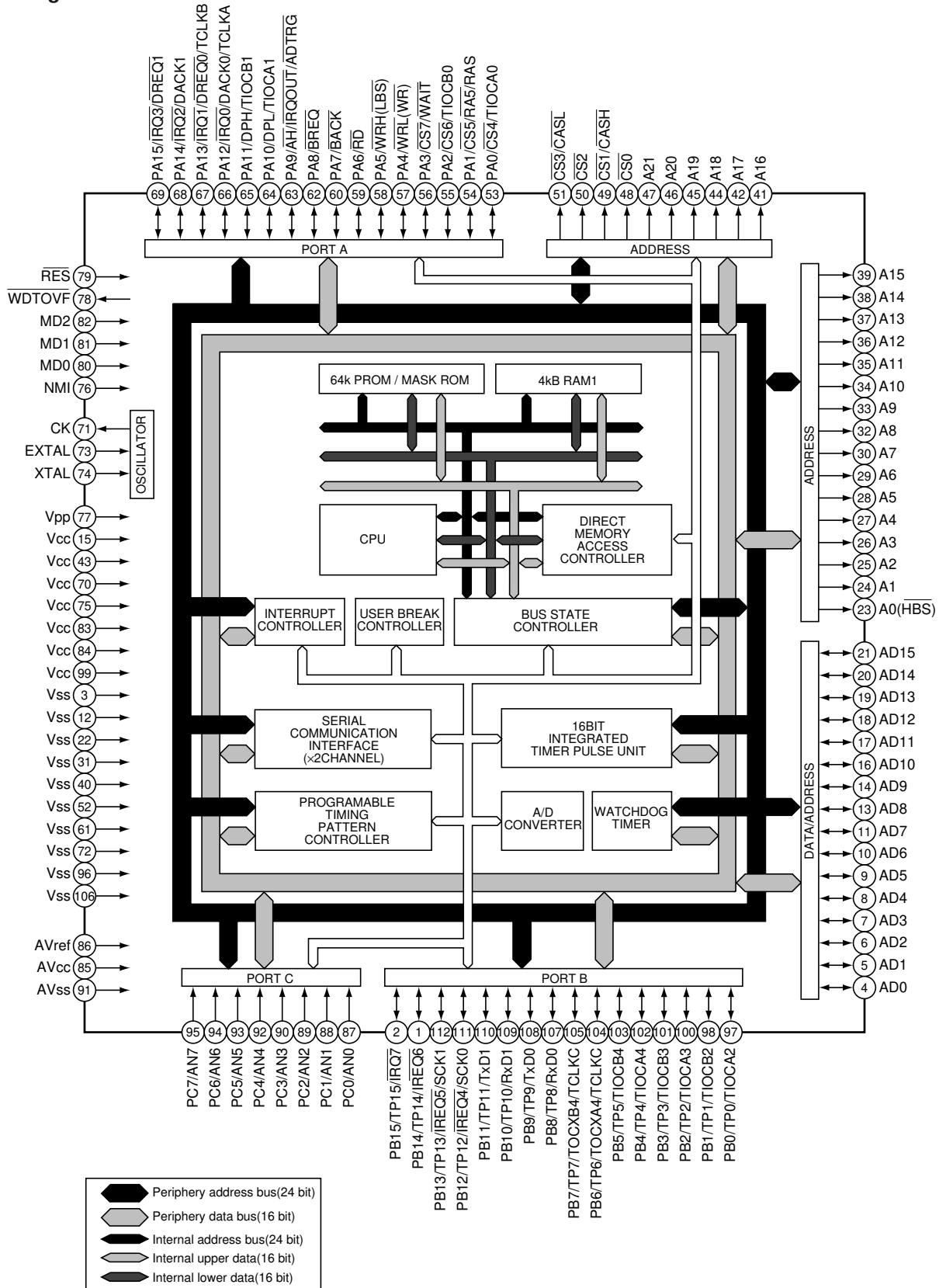
● Pin Function

No.	Pin Name	Function	No.	Pin Name	Function	
1	RY/B \bar{Y}	Ready / Busy output	23	VCC	Power supply (+5.0V \pm 10% or \pm 5%)	
2	A18	Address input	24	DQ4	Data input / output	
3	A17					
4	A7					
5	A6					
6	A5					
7	A4					
8	A3					
9	A2					
10	A1					
11	A0			27	DQ13	
12	$\bar{C}E$	Chip enable	28	DQ6		
13	VSS	Ground	29	DQ14		
14	$\bar{O}E$	Output enable	30	DQ7		
15	DQ0	Data input/output	31	DQ15/A-1	Data input/output / address input	
16	DQ8					
17	DQ1					
18	DQ9					
19	DQ2					
20	DQ10					
21	DQ3					
22	DQ11					
				32	VSS	Ground
				33	BYTE	Switch the 8 bit and 16 bit modes
			34	A16	Address input	
			35	A15		
			36	A14		
			37	A13		
			38	A12		
			39	A11		
			40	A10		
			41	A9		
			42	A8		
			43	$\bar{W}E$	Write enable	
			44	RESET	Hardware reset	

■ PD3381A (DVDM ASSY : IC601)

• System Control CPU

• Block Diagram



DV-505, DVL-909, DV-S9

● Pin Function

No.	Pin Name	I/O	Function
1	PB14/TP14/ $\overline{\text{IRQ6}}$	I/O	16 bit input/output (port B) / Timing pattern output / Interruption request
2	PB15/TP15/ $\overline{\text{IRQ7}}$		
3	VSS	I	Ground
4	AD0	I/O	16 bit bilateral data bus
5	AD1		
6	AD2		
7	AD3		
8	AD4		
9	AD5		
10	AD6		
11	AD7		
12	VSS	I	Ground
13	AD8	I/O	16 bit bilateral data bus
14	AD9		
15	VCC	I	Power supply
16	AD10	I/O	16 bit bilateral data bus
17	AD11		
18	AD12		
19	AD13		
20	AD14		
21	AD15		
22	VSS	I	Ground
23	A0 ($\overline{\text{HBS}}$)	O	Address bus output (upper byte strobe signal)
24	A1	O	Address bus output
25	A2		
26	A3		
27	A4		
28	A5		
29	A6		
30	A7		
31	VSS	I	Ground
32	A8	O	Address bus output
33	A9		
34	A10		
35	A11		
36	A12		
37	A13		
38	A14		
39	A15		
40	VSS	I	Ground
41	A16	O	Address bus output
42	A17		
43	VCC	I	Power supply

No.	Pin Name	I/O	Function
44	A18	O	Address bus output
45	A19		
46	A20		
47	A21		
48	$\overline{CS0}$	O	Chip select signal
49	$\overline{CS1}/\overline{CASH}$	O	Chip select signal / Column address strobe timing signal on the upper side of DRAM
50	$\overline{CS2}$	O	Chip select signal
51	$\overline{CS3}/\overline{CASL}$	O	Chip select signal / Column address strobe timing signal on the lower side of DRAM
52	VSS	I	Ground
53	PA0/ $\overline{CS4}/\overline{TIOCA0}$	I/O	16 bit input/output (port A) / Chip select signal / ITU input capture input/ITU output compare output (channel 0)
54	PA1/ $\overline{CS5}/\overline{RAS}$	I/O	16 bit input/output (port A) / Chip select signal / Low address strobe timing signal of DRAM
55	PA2/ $\overline{CS6}/\overline{TIOCB0}$	I/O	16 bit input/output (port A) / Chip select signal / ITU input capture input/ITU output compare output (channel 0)
56	PA3/ $\overline{CS7}/\overline{WAIT}$	I/O	16 bit input/output (port A) / Chip select signal / Wait input for bus cycle
57	PA4/ \overline{WRL} (\overline{WR})	I/O	16 bit input/output (port A) / External lower 8 bit writing (output at writing)
58	PA5/ \overline{WRH} (\overline{LBS})	I/O	16 bit input/output (port A) / External upper 8 bit writing (lower byte strobe signal)
59	PA6/ \overline{RD}	I/O	16 bit input/output (port A) / External reading out
60	PA7/ \overline{BACK}	I/O	16 bit input/output (port A) / Bus claim request acknowledge
61	VSS	I	Ground
62	PA8/ \overline{BREQ}	I/O	16 bit input/output (port A) / Bus claim request
63	PA9/ $\overline{AH}/\overline{IRQOUT}/\overline{ADTRG}$	I/O	16 bit input/output (port A) / Address hold timing signal / Interruption request output at slave / A/D conversion trigger input
64	PA10/ $\overline{DPL}/\overline{TIOCA1}$	I/O	16 bit input/output (port A) / Data bus parity on the lower side / ITU input capture input/ITU output compare output (channel 1)
65	PA11/ $\overline{DPH}/\overline{TIOCB1}$	I/O	16 bit input/output (port A) / Data bus parity on the upper side / ITU input capture input/ITU output compare output (channel 1)
66	PA12/ $\overline{IRQ0}/\overline{DACK0}/\overline{TCLKA}$	I/O	16 bit input/output (port A) / Interruption request / DMA transfer request reception (channel 0) / ITU timer clock input
67	PA13/ $\overline{IRQ1}/\overline{DREQ0}/\overline{TCLKB}$	I/O	16 bit input/output (port A) / Interruption request / DMA transfer request (channel 0) / ITU timer clock input
68	PA14/ $\overline{IRQ2}/\overline{DACK1}$	I/O	16 bit input/output (port A) / Interruption request / DMA transfer request reception (channel 1)
69	PA15/ $\overline{IRQ3}/\overline{DREQ1}$	I/O	16 bit input/output (port A) / Interruption request / DMA transfer request (channel 1)
70	VCC	I	Power supply
71	CK	O	System clock output
72	VSS	I	Ground
73	EXTAL	I	Crystal oscillator input External clock input
74	XTAL	I	Crystal oscillator input
75	VCC	I	Power supply
76	NMI	I	Non-maskable interruption input
77	VPP	I	Power supply of PROM program
78	\overline{WDOVF}	O	Watchdog timer over-flow output
79	\overline{RES}	I	Reset input
80	MD0	I	Mode setting pins
81	MD1		
82	MD2		
83	VCC	I	Power supply
84	VCC		

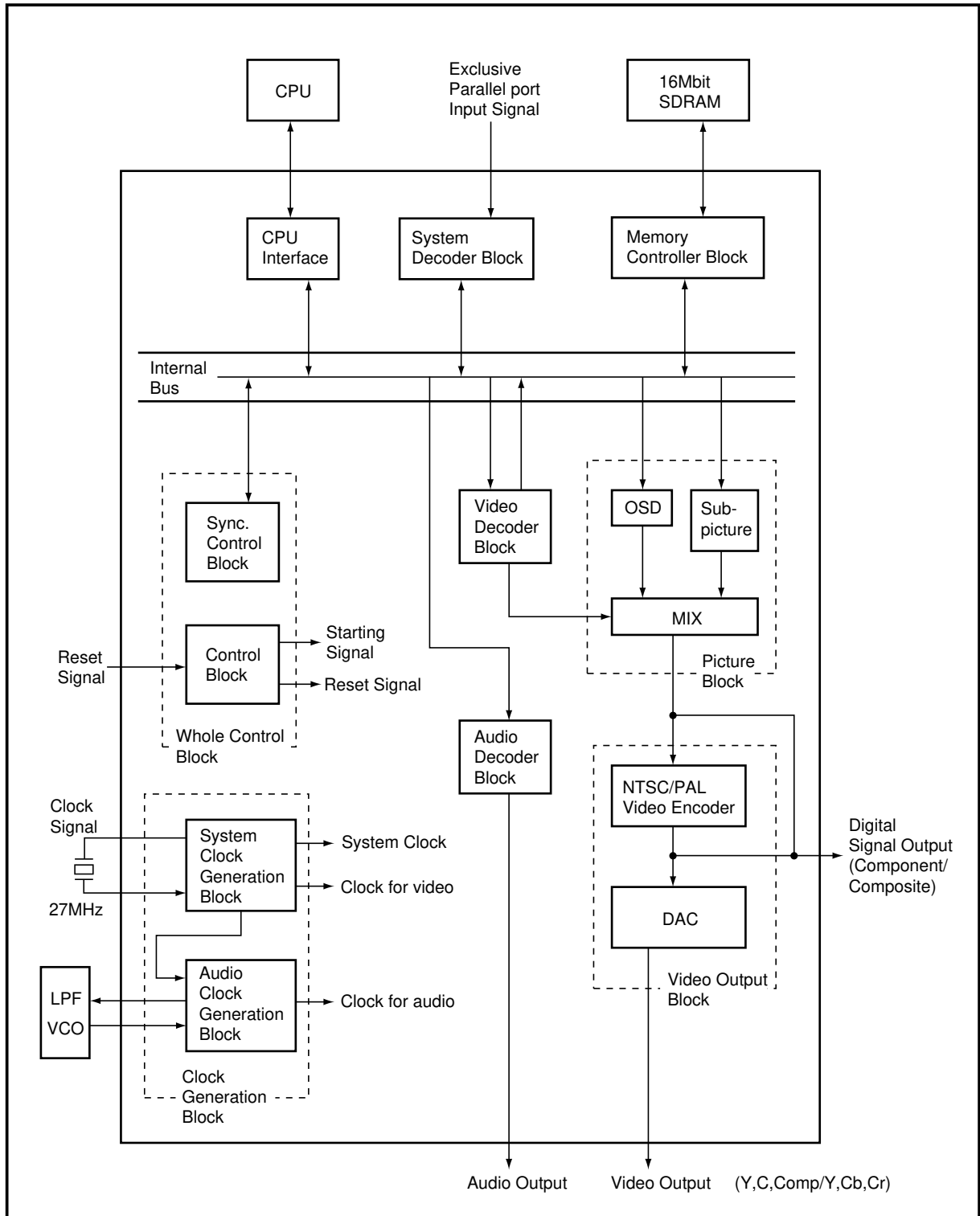
DV-505, DVL-909, DV-S9

No.	Pin Name	I/O	Function
85	AVCC	I	Analog power supply
86	AVREF	I	Analog reference power supply
87	PC0/AN0	I	8 bit input (port C) / Analog signal input
88	PC1/AN1		
89	PC2/AN2		
90	PC3/AN3		
91	AVSS	I	Analog Ground
92	PC4/AN4	I	8 bit input (port C) / Analog signal input
93	PC5/AN5		
94	PC6/AN6		
95	PC7/AN7		
96	VSS	I	Ground
97	PB0/TP0/TIOCA2	I/O	16 bit input/output (port B) / Timing pattern output / ITU input capture input/ITU output compare output (channel 2)
98	PB1/TP1/TIOCB2		
99	VCC	I	Power supply
100	PB2/TP2/TIOCA3	I/O	16 bit input/output (port B) / Timing pattern output / ITU input capture input/ITU output compare output (channel 3)
101	PB3/TP3/TIOCB3		
102	PB4/TP4/TIOCA4	I/O	16 bit input/output (port B) / Timing pattern output / ITU input capture input/ITU output compare output (channel 4)
103	PB5/TP5/TIOCB4		
104	PB6/TP6/TOCXA4/TCLKC	I/O	16 bit input/output (port B) / Timing pattern output / ITU output compare output (channel 4) / ITU timer clock input
105	PB7/TP7/TOCXB4/TCLKD		
106	VSS	I	Ground
107	PB8/TP8/RXD0	I/O	16 bit input/output (port B) / Timing pattern output / Receive data input (channel 0)
108	PB9/TP9/TXD0	I/O	16 bit input/output (port B) / Timing pattern output / Transmission data output (channel 0)
109	PB10/TP10/RXD1	I/O	16 bit input/output (port B) / Timing pattern output / Receive data input (channel 1)
110	PB11/TP11/TXD1	I/O	16 bit input/output (port B) / Timing pattern output / Transmission data output (channel 1)
111	PB12/TP12/IRQ4/SCK0	I/O	16 bit input/output (port B) / Timing pattern output / Interruption request / Serial clock input/output (channel 0)
112	PB13/TP13/IRQ5/SCK1	I/O	16 bit input/output (port B) / Timing pattern output / Interruption request / Serial clock input/output (channel 1)

■ MB86371 (DVDM ASSY : IC801)

• MPEG2 Decoder LSI For DVD

● Block Diagram



● Pin Function

No.	Pin Name	I/O	Function	No.	Pin Name	I/O	Function
1	CLKSEL	I	ON/OFF signal of PLL ("H" : ON, "L" : OFF)	27	VDD	-	3.3V power supply
2	DIGCPN7	O	Digital component signal output (MSB) Digital Y signal output (9-bit) (MSB)	28	DIGCOMP4	O	Digital composite signal output Digital C signal output
3	VSS	-	GND	29	DIGCOMP3		
4	DIGCPN6	O	Digital component signal output Digital Y signal output (9-bit)	30	DIGCOMP2		
5	DIGCPN5			31	DIGCOMP1		
6	DIGCPN4			32	DIGCOMP0		Digital composite signal output (LSB) Digital C signal output (LSB)
7	DIGCPN3			33	DACK		O
8	DIGCPN2			34	N.C.	-	Non connection
9	DIGCPN1	35	VSSA3	-	GND (D/A converter)		
10	VDD	-	3.3V power supply	36	ANAC	O	Analog color (C) output signal
11	DIGCPN0	O	Digital component signal output (LSB) Digital Y signal output (9-bit) (LSB)	37	VDDA3	-	3.3V power supply (for built-in D/A converter only)
12	RBSEL	O	Cb and Cr discrimination signal at the digital component signal output. LSB at the digital Y signal output.	38	VSSA2	-	GND (D/A converter)
13	XHS	O	Horizontal sync. output signal	39	ANAY	O	Analog luminance (Y) output signal
14	XVS	O	Vertical sync. output signal	40	VDDA2	-	3.3V power supply (for built-in D/A converter only)
15	VSS	-	GND	41	VREF	I	Reference voltage for D/A converter
16	XRESET	I	LSI reset signal	42	VRO	O	Internal current setting pin of D/A converter
17	XLDCSYNC	I	External sync. signal input (LD mode)	43	N.C.	-	Non connection
18	KEY	O	KEY signal for LD and OSD overlay (LD mode)	44	VSSA1	-	GND (D/A converter)
19	PD	O	Phase comparison result output signal of horizontal sync. (LD mode)	45	ANACOMP	O	Analog composite output signal
20	VFLD	O	Field discrimination signal at the digital signal output H : even field L : odd field	46	VDDA1	-	3.3V power supply (for built-in D/A converter only)
21	DIGCOMP9	O	Digital composite signal output (MSB) Digital C signal output (MSB)	47	BF	O	Burst flag signal
22	DIGCOMP8			48	XBLK	O	H/V composite blanking signal
23	DIGCOMP7			49	N.C.	-	Non connection
24	DIGCOMP6			50	VSS	-	GND
25	DIGCOMP5			51	TEST0	-	Normally, set to "open".
26	VSS	-	GND	52	TEST1	-	"L" status normally

No.	Pin Name	I/O	Function	No.	Pin Name	I/O	Function
53	DAIIN	I	Digital data input of external input (SPDIF)	92	HADRS10	I	CPU address bus signal (MSB)
54	CDDATA	I	Audio data input of external input (correspond to CD)	93	HADRS9	I	CPU address bus signal
55	CDLR	I	Data channel clock input of external input (correspond to CD)	94	HADRS8		
56	CDBCK	I	Data clock input of external input (correspond to CD)	95	HADRS7		
57	AODATA3	O	Audio decode data	96	VSS	-	GND
58	AODATA2			97	VDD	-	3.3V power supply
59	AODATA1			98	HADRS6	I	CPU address bus signal
60	VSS	-	GND	99	HADRS5		
61	VDD	-	3.3V power supply	100	HADRS4		
62	AODATA0	O	Audio decode data	101	HADRS3		
63	AOPCM	O	Digital audio interface output (compression data)	102	HADRS2		CPU address bus signal (LSB)
64	AODAI	O	Digital audio interface output (decode data)	103	HDATA15	I/O	CPU data bus signal (MSB)
65	LRCK	O	Data channel clock for D/A and digital filter	104	HDATA14		CPU data bus signal
66	AOMCK	O	Master clock for D/A and digital filter	105	HDATA13		
67	BCK	O	Bit clock for D/A and digital filter	106	HDATA12		
68	ICED1	-	Pin for emulator Normally, set to "open".	107	VSS	-	GND
69	ICED0			108	HDATA11	I/O	CPU data bus signal
70	ICEBRK			109	HDATA10		
71	XDSPRST			110	HDATA9		
72	VSS	-	GND	111	HDATA8		
73	N.C.	-	Non connection	112	HDATA7		
74	TEST2	-	Normally, set to "open".	113	HDATA6		
75	TEST3			114	VDD	-	3.3V power supply
76	TEST4			115	HDATA5	I/O	CPU data bus signal
77	TEST5			116	HDATA4		
78	SD7	I	Parallel data input	117	HDATA3		
79	VDD	-	3.3V power supply	118	HDATA2		
80	SD6	I	Parallel data input	119	VSS	-	GND
81	SD5			120	HDATA1	I/O	CPU data bus signal
82	SD4			121	HDATA0		CPU data bus signal (LSB)
83	SD3			122	BUSSEL	I	Bus width selection signal (0 : 8-bit bus, 1 : 16-bit bus)
84	SD2			123	XOSDACK	I	OSD data acknowledge signal
85	VSS	-	GND	124	XOSDREQ	O	OSD data request signal
86	SD1	I	Parallel data input	125	HCPUSEL1	I	CPU selection signal (00 :SPARC, 01 :86 system, 10 :68 system, 11 :Reserve)
87	SD0			126	HCPUSEL0		
88	XERR	I	Error input signal	127	XINT3	O	Interrupt request signal to the CPU
89	XSACK	I	Acknowledge signal	128	XINT2		
90	XTEST	I	Set to "H" at normal use	129	XINT1		
91	SREQ	O	Data request signal	130	VSS	-	GND

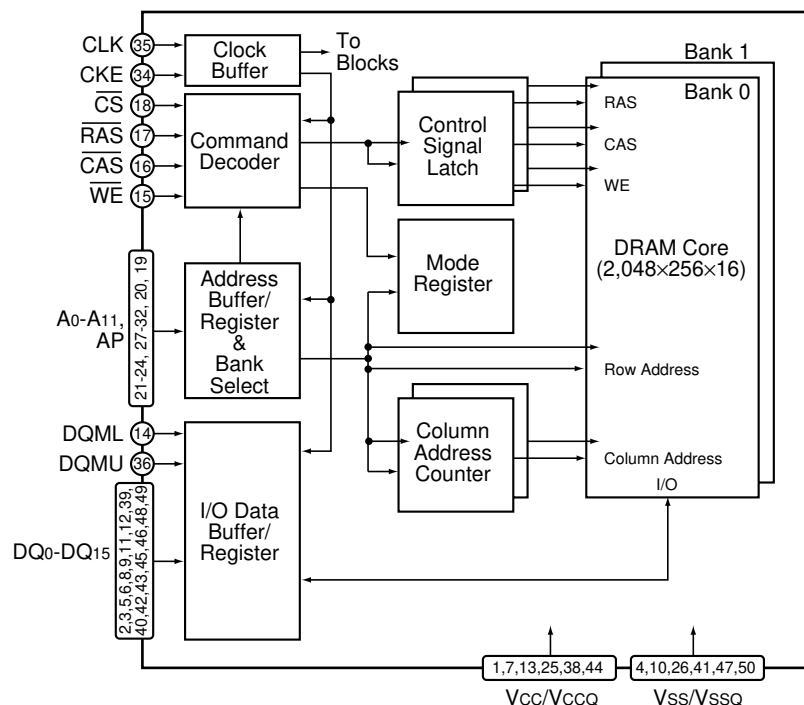
DV-505, DVL-909, DV-S9

No.	Pin Name	I/O	Function	No.	Pin Name	I/O	Function
131	VDD	–	3.3V power supply	170	XMDRCAS	O	CAS signal for SDRAM
132	XINT0	O	Interrupt request signal to CPU	171	XMDRDQM1	O	Input mask / output enable signal for SDRAM
133	XEXTRDY	O	SPARC, 68 system : Ready signal to CPU 86 system : Acknowledge (ACK) signal to CPU	172	VSS	–	GND
134	HRW	I	CPU read / write signal	173	XMDRWE	O	Write enable signal for SDRAM
135	HCLKIN	I	Host clock input	174	XMDRDQM0	O	Input mask / output enable signal for SDRAM
136	XHCS	I	LSI chip select signal	175	MDRDAT8	I/O	Data bus signal for SDRAM
137	XHAS	I	SPARC, 68 system : CPU address strobe 86 system : CPU address status	176	VSS	–	GND
138	XHBE3	I	CPU byte enable signal	177	MDRDAT7	I/O	Data bus signal for SDRAM
139	XHBE2			178	MDRDAT9		
140	XHBE1			179	MDRDAT6		
141	XHBE0			180	MDRDAT10		
142	VSS	–	GND	181	MDRDAT5		
143	MDRADR4	O	Address signal for SDRAM	182	VSS	–	GND
144	MDRADR3			183	VDD	–	3.3V power supply
145	MDRADR5			184	MDRDAT11	I/O	Data bus signal for SDRAM
146	MDRADR2			185	MDRDAT4		
147	VDD	–	3.3V power supply	186	MDRDAT12	I/O	Data bus signal for SDRAM
148	VSS	–	GND	187	MDRDAT3		
149	MDRADR6	O	Address signal for SDRAM	188	MDRDAT13		
150	MDRADR1			189	VSS	–	GND
151	MDRADR7			190	MDRDAT2	I/O	Data bus signal for SDRAM
152	MDRADR0			191	MDRDAT14		
153	MDRADR8		Address signal for SDRAM (LSB)	192	MDRDAT1		
154	VSS	–	GND	193	MDRDAT15		Data bus signal for SDRAM (MSB)
155	TEST6	–	"L" status normally	194	MDRDAT0	I/O	Data bus signal for SDRAM (LSB)
156	TEST7			195	VSS	–	GND
157	TEST8			196	N.C.	–	Non connection
158	TEST9			197	ICK27M	I	System clock input
159	MDRADR10	O	Address signal for SDRAM	198	VSS	–	GND
160	MDRADR9			199	OCK27M	O	System clock output
161	MDRADR11			Address signal for SDRAM (MSB)	200	VSSA(VCO)	–
162	XMDRCS	O	Chip select signal for SDRAM	201	VDDA(VCO)	–	3.3V power supply (for VCO only)
163	MDRCKE	O	Clock enable signal for SDRAM	202	ILPF	O	PLL block inverter output for audio
164	VSS	–	GND	203	MLPF	I	PLL block inverter input for audio
165	VDD	–	3.3V power supply	204	OLPF	O	Phase detector output for audio
166	XMDRRAS	O	RAS signal for SDRAM	205	OVCO	I	VCO input for audio clock
167	MDRCLK	O	Clock output signal for SDRAM	206	VSS	–	GND
168	VSS	–	GND	207	XPLLRS	I	PLL section reset signal
169	MDRCLKIN	I	Clock input signal for SDRAM	208	XSYNCRST	I	SYNC reset signal

■ MB811171622A-100FN (DVDM ASSY : IC802)

• Code Buffer (16M bit SDRAM)

● Block Diagram



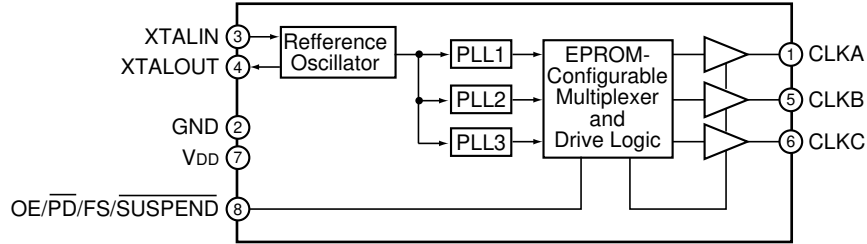
● Pin Function

No.	Pin Name	Function	No.	Pin Name	Function
1	VCC	Power supply (+ 3.3V)	26	VSS	Ground
2	DQ0	Data input/output	27	A4	Address input Row : A0 to A10 , Column : A0 to A7
3	DQ1		28	A5	
4	VSSQ	Ground	29	A6	
5	DQ2	Data input/output	30	A7	
6	DQ3		31	A8	
7	VCCQ	Power supply (+ 3.3V)	32	A9	
8	DQ4	Data input/output	33	DU	Don't use (use for open)
9	DQ5		34	CKE	Clock enable
10	VSSQ	Ground	35	CLK	Clock input
11	DQ6	Data input/output	36	DQMU	Input mask / Output enable
12	DQ7		37	DU	Don't use (use for open)
13	VCCQ	Power supply (+ 3.3V)	38	VCCQ	Power supply (+ 3.3V)
14	DQML	Input mask / Output enable	39	DQ8	Data input/output
15	WE	Write enable	40	DQ9	
16	CAS	Column address strobe	41	VSSQ	Ground
17	RAS	Row address strobe	42	DQ10	Data input/output
18	CS	Chip select	43	DQ11	
19	A11 (BA)	Bank select	44	VCCQ	Power supply (+ 3.3V)
20	A10/AP	Address input Row : A0 to A10 , Column : A0 to A7 / Auto pre-charge enable	45	DQ12	Data input/output
21	A0	Address input Row : A0 to A10 , Column : A0 to A7	46	DQ13	
22	A1		47	VSSQ	Ground
23	A2		48	DQ14	Data input/output
24	A3		49	DQ15	
25	VCC		Power supply (+ 3.3V)	50	VSS

■ **CY2081SL-611 (DVDM ASSY : IC813)**

• Clock Generate IC

● **Block Diagram**



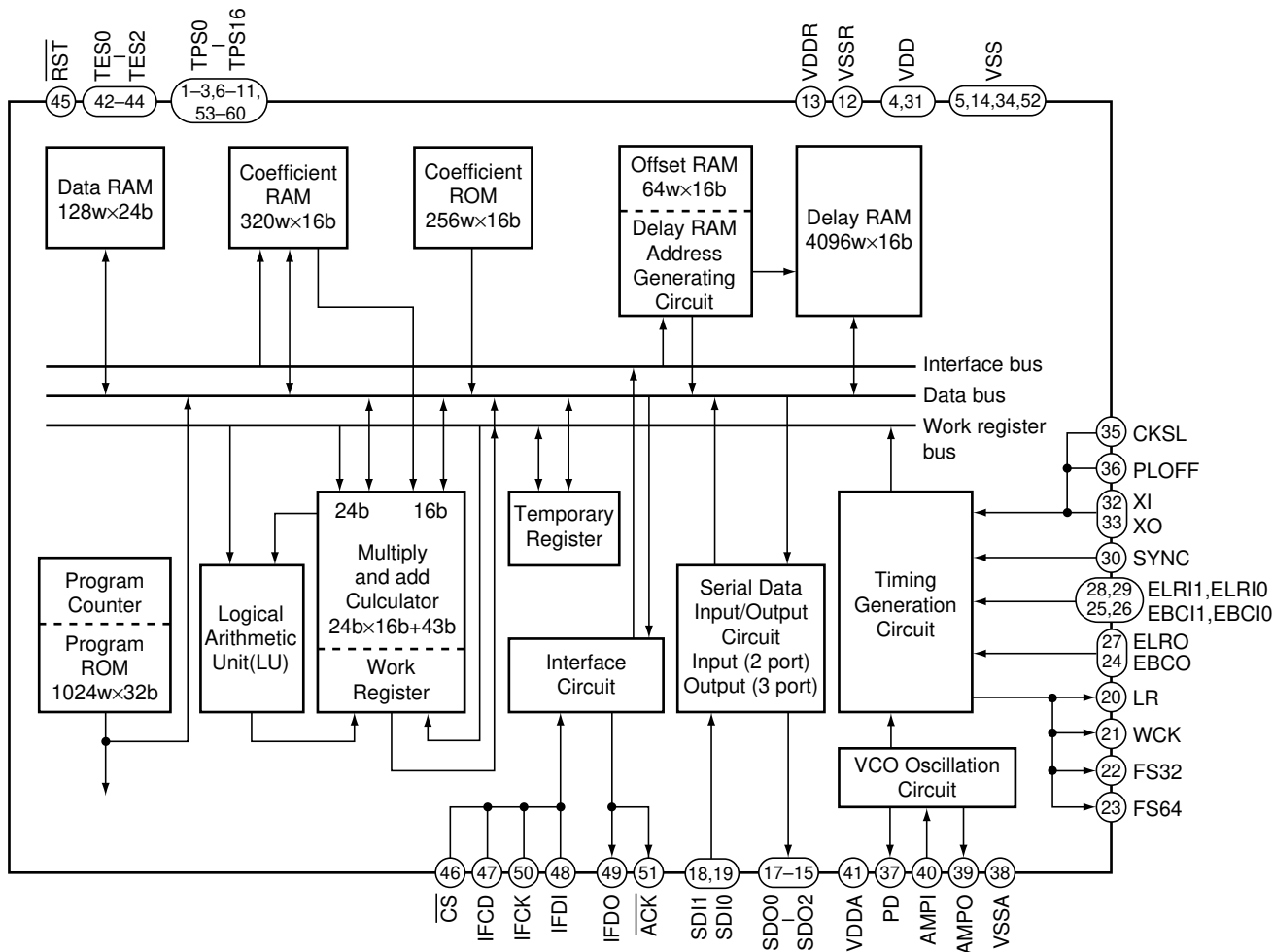
● **Pin Function**

No.	Pin Name	Function
1	CLKA	Configurable clock output
2	GND	Ground
3	XTALIN	Reference crystal input or external reference clock input
4	XTALOUT	Reference crystal feedback
5	CLKB	Configurable clock output
6	CLKC	Configurable clock output
7	VDD	Voltage supply
8	OE/PD/FS/SUSPEND	Output control pin Either active-High output enable, active-Low power down, CLKA frequency select, or active-Low suspend input

■ PD2058A (DVDM ASSY : IC901)(DV-505 and DVL-909 only)

• Digital Signal Processor For Audio

• Block Diagram



• Pin Function

No.	Pin Name	I/O	Function
1	TP8	○	Test data output pin Normally, use with open.
2	TP7		
3	TP6		
4	VDD	-	Power supply pin
5	VSS	-	Ground pin
6	TP5	○	Test data output pin Normally, use with open.
7	TP4		
8	TP3		
9	TP2		
10	TP1		
11	TP0		

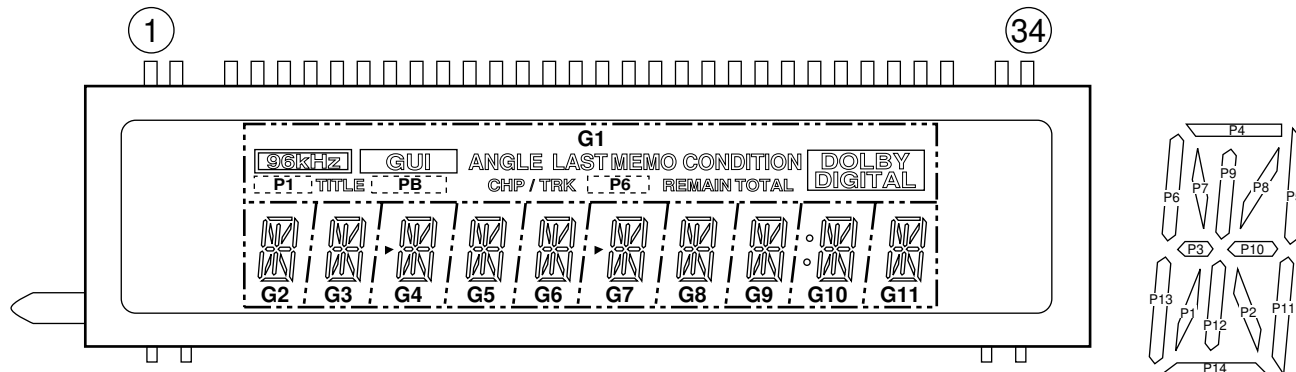
DV-505, DVL-909, DV-S9

No.	Pin Name	I/O	Function	
12	VSSR	–	Ground pin for internal delay RAM (DLRAM)	
13	VDDR	–	Power supply pin for internal delay RAM (DLRAM)	
14	VSS	–	Ground pin	
15	SDO2	O	Serial data output pin Output data length is able to select the 24-bit or 16-bit by controlling the microprocessor.	
16	SDO1			
17	SDO0			
18	SDI1	I	Serial data input pin Input data length is able to select the 24-bit or 16-bit by controlling the microprocessor.	
19	SDI0			
20	LR	O	LR clock output pin (1 fs)	
21	WCK	O	Word clock output pin (2 fs)	
22	FS32	O	Bit clock output pin (32 fs)	
23	FS64	O	Bit clock output pin (64 fs)	
24	EBC0	I	Bit clock input pin Inputs shift clock for SDO0/1/2 data output.	
25	EBC11	I	Bit clock input pin	For SDI1 data input
26	EBC10		Inputs shift clock for SDI0/1 data input.	For SDI0 data input
27	ELRO	I	LR clock input pin Inputs LR clock for SDO0/1/2 data output.	
28	ELR11	I	LR clock input pin	For SDI1 data input
29	ELR10		Inputs LR clock for SDI0/1 data input.	For SDI0 data input
30	SYNC	I	Sync. signal input pin Turn the program counter into "0" forcibly by the edge of SYNC signal. Moreover, set the polarity by controlling the microprocessor.	
31	VDD	–	Power supply pin	
32	XI	I	Crystal oscillator connection pin / external clock input pin	
33	XO	O	Crystal oscillator connection pin	
34	VSS	–	Ground pin	
35	CKSL	I	Oscillation clock switch pin L : correspond to 384 fs H : correspond to 512 fs	
36	PLOFF	I	X'tal oscillation mode / VCO oscillation mode switch pin L :built-in VCO oscillation mode H :X'tal oscillation mode	
37	PD	O	Phase comparison data output pin	
38	VSSA	–	Analog ground pin	
39	AMPO	O	Amp. output pin for low-pass filter	
40	AMPI	I	Amp. input pin for low-pass filter	
41	VDDA	–	Analog power supply pin	
42	TES0	I	Test pin Normally, use for "H" or open.	
43	TES1			
44	TES2			
45	RST	I	Reset signal input pin	
46	CS	I	Chip select signal input pin When CS is L active, data is able to transfer from the microprocessor.	
47	IFCD	I	Command or data input mode selection pin from the microprocessor Recognize the command for "H" period and the data for "L" period.	
48	IFDI	I	Microprocessor data input pin Receive the command and data by LSB first.	
49	IFDO	O	Data output pin of data bus (DBUS) Transmit the data of data bus to the microprocessor by LSB first.	
50	IFCK	I	Shift clock input pin for microprocessor data	
51	ACK	O	Acknowledge signal output pin for microprocessor When parity of command and data is OK, outputs the acknowledge signal.	
52	VSS	–	Ground pin	
53	TP16	O	Test data output pin Normally, use with open.	
54	TP15			
55	TP14			
56	TP13			
57	TP12			
58	TP11			
59	TP10			
60	TP9			

5. FL INFORMATION

■ VAW1046 (FLKB ASSY : V101)(DV-505 and DVL-909 only)

• FL DISPLAY



• ANODE AND GRID ASSIGNMENT

	G1	G2	G3	G4	G5	G6	G7	G8	G9	G10	G11
P1	P1	P1	P1	P1	P1	P1	P1	P1	P1	P1	P1
P2	ANGLE	P2	P2	P2	P2	P2	P2	P2	P2	P2	P2
P3	TITLE	P3	P3	P3	P3	P3	P3	P3	P3	P3	P3
P4	LAST MEMO	P4	P4	P4	P4	P4	P4	P4	P4	P4	P4
P5	CONDITION	P5	P5	P5	P5	P5	P5	P5	P5	P5	P5
P6	P6	P6	P6	P6	P6	P6	P6	P6	P6	P6	P6
P7	CHP/TRK	P7	P7	P7	P7	P7	P7	P7	P7	P7	P7
P8	P8	P8	P8	P8	P8	P8	P8	P8	P8	P8	P8
P9	REMAIN	P9	P9	P9	P9	P9	P9	P9	P9	P9	P9
P10	DOLBY DIGITAL	P10	P10	P10	P10	P10	P10	P10	P10	P10	P10
P11	GUI	P11	P11	P11	P11	P11	P11	P11	P11	P11	P11
P12	96kHz	P12	P12	P12	P12	P12	P12	P12	P12	P12	P12
P13		P13	P13	P13	P13	P13	P13	P13	P13	P13	P13
P14		P14	P14	P14	P14	P14	P14	P14	P14	P14	P14
P15	TOTAL			▷			▷			◦	

• PIN ASSIGNMENT

Pin No.	1	2	3	4	5	6	7	8	9	10	11	12	13	14	15	16	17
Assignment	F1	F1	NP	P15	P14	P13	P12	P11	P10	P9	P8	P7	P6	P5	P4	P3	P2

Pin No.	18	19	20	21	22	23	24	25	26	27	28	29	30	31	32	33	34
Assignment	P1	G11	G10	G9	G8	NL	NL	G7	G6	G5	G4	G3	G2	G1	NP	F2	F2

F1, F2 : Filament G1~G11 : Grid P1~P15 : Anode NP : No Pin NL : No Lead